

# MOA-S

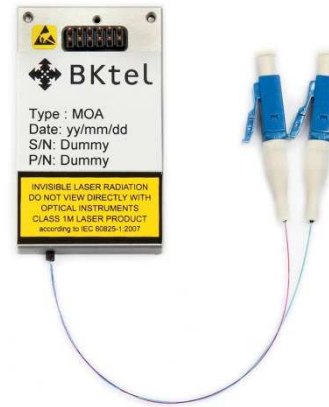
## Miniature Optical Amplifier

### Application

- ▶ Long-Haul, Metro and Access Networks
- ▶ Single Channel Networks

### Features

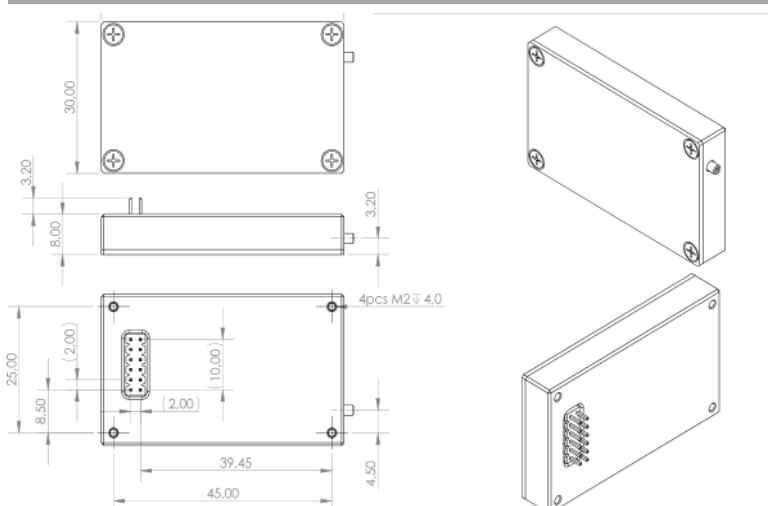
- ▶ High Output Power, up to +17dB
- ▶ Miniaturized package (30 x 50 x 8 mm)
- ▶ Low Noise Figure & Power Consumption
- ▶ Digital Control System



### Parameter

| Parameter                  |       | MOA-S120    | MOA-S170 |
|----------------------------|-------|-------------|----------|
| Wavelength                 | [nm]  | 1529...1564 |          |
| Output Power               | [dBm] | +12         | +17      |
| Input Power Range          | [dBm] | -30...+0    | -10...+6 |
| Noise Figure               | [dB]  | 5.0         | 5.5      |
| PDG                        | [dB]  | 0.3         |          |
| PMD                        | [ps]  | 0.5         |          |
| Optical Isolation          | [dB]  | 30          |          |
| Return Loss                | [dB]  | 40          |          |
| Power Supply Voltage       | [V]   | +3.3 / +5   |          |
| Power Consumption          | [W]   | 2           | 2        |
| Operating Case Temperature | [°C]  | 0...+70     |          |
| Communication Interface    |       | RS-232      |          |

### Mechanical Dimensions



### Ordering Information

Custom variants are available upon request, please contact our customer service to discuss your specification requirements.

Evaluation board available on request



Specifications are subject to change without notice