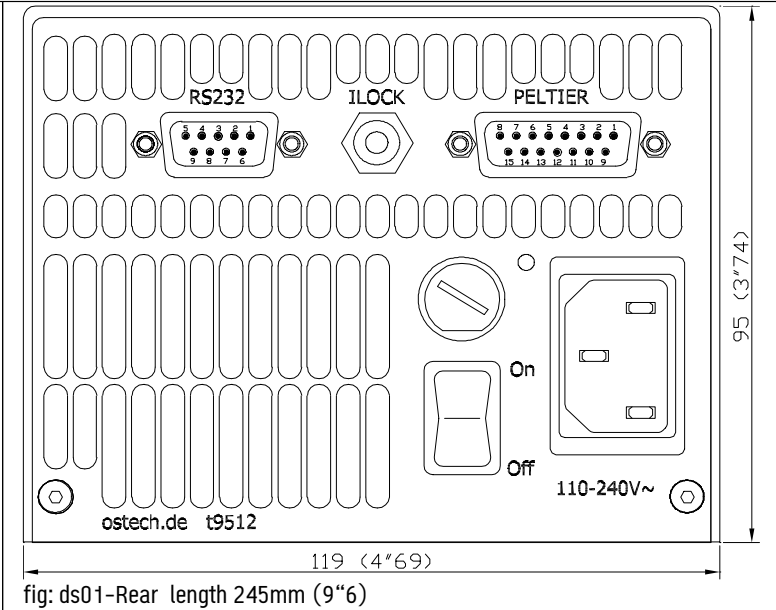




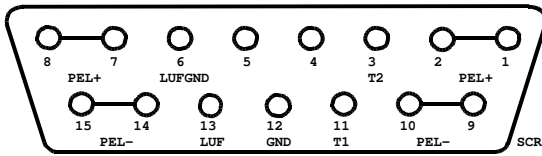
Peltier - TEC - Driver

Type: ps11-pa07v48-t9512-v0-336

1.TEC Current max. : 7A
 1.TEC Voltage max. : 48V
 External Fan Support
 (opt. additional TECs)



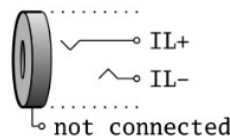
Peltier Connector



Sub-D 15, female Type as viewed from backside

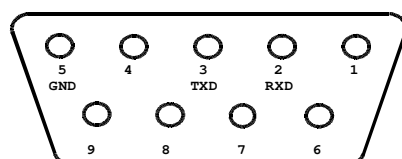
IN.No	Abbr.	Function
1;2;7;8	PEL+	Peltier element (+)
9;10;14;15	PEL-	Peltier element (-)
3	T2	2. Temp. Sensor Input Ref. to GND
11	T1	1. Temp. Sensor Input Ref. to GND
6	LUFGND	Ground for Fan Supply
12	GND	Common Ground - N.C. To Screen
13	LUF	1..24V Fan Supply, max. 500mAsupports fan etc.
	SCR	Common Screen

Interlock Connector



Jack Connector Stereo 3.5mm
 Interlock - Laser can only run if Interlock is closed;
 (ca. 5mA over 2V -> $R_{interlock} \leq 400R$)
 connect ILOCK- and ILOCK+ pin
 Warning: do not connect (SCR) common screen pin

RS232 Connector

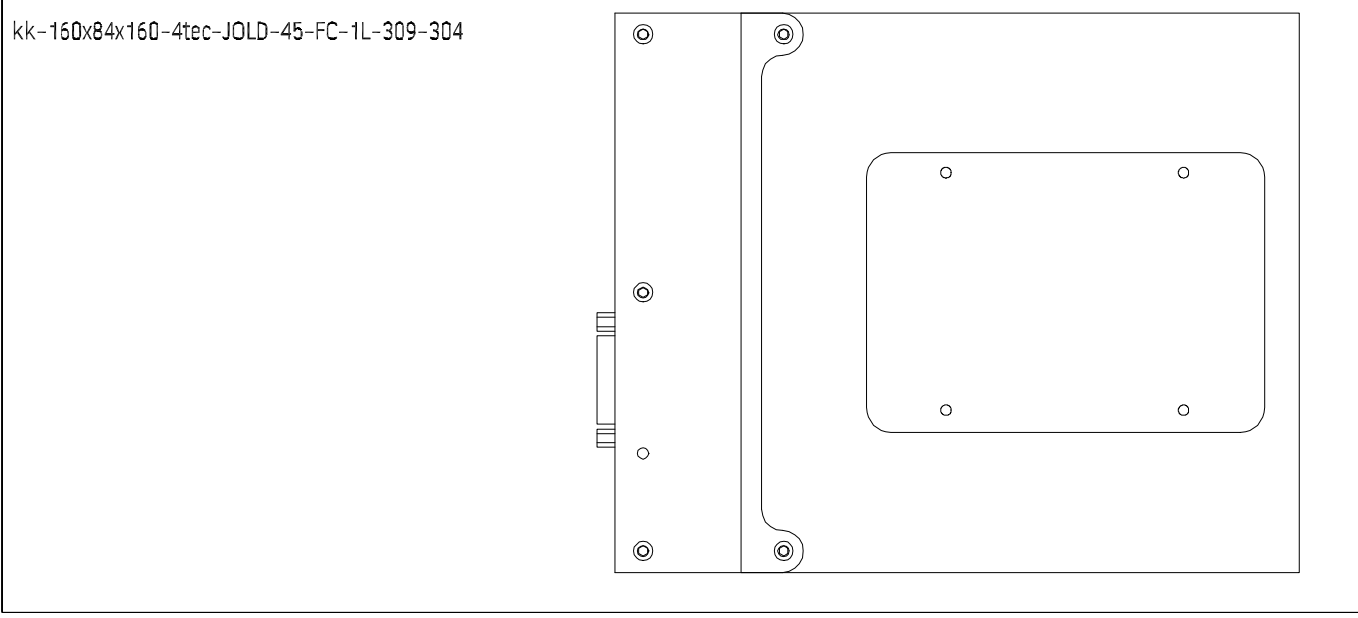
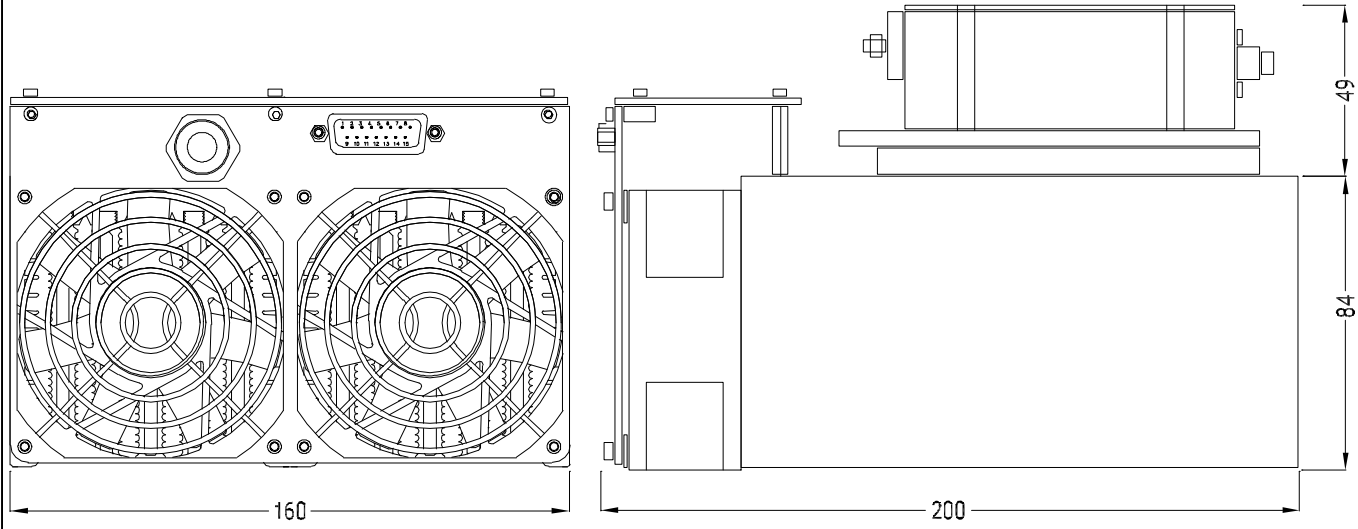


Sub-D 9, female Type as viewed from backside
 Standard RS232-Connector connected to PC (No Null-Modem Cable !)

PIN.No	Abbr.
2	RXD
3	TXD
5	GND

passive cooling block

Type: kk-160x84x160-4tec-JOLD-45-FC-1L-309-304		
Passive cooling block for JOLD-45-FC-1L max. TEC values: 49V 11A max. el. fan data: 2x 24V / 6W max. noise value: 51dB(A) mounting area: 160mm x 110mm	Cooling block could handle typical power loss of laser-diode in conjunction with laser temperature:	
	Max. temperature of cooling block 35°C 20°C - 260W 25°C - 170W 30°C - 80W	Max. temperature of cooling block 40°C 20°C - 330W 25°C - 240W 30°C - 170W





passive cooling block

Peltier Connector		
		Sub-D 15, female Type as viewed from backside
IN.No	Abbr.	Function
1;2;7;8	PEL+	Peltier element (+)
9;10;14;15	PEL-	Peltier element (-)
3	T2	2. Temp. Sensor Input Ref. to GND
6	LUFGND	Ground for Fan Supply
11	T1	1. Temp. Sensor Input Ref. to GND
12	GND	Common Ground - N.C. To Screen
13	LUF	1..24V Fan Supply, max. 500mA supports fan etc.
	SCR	Common Screen



DS11 LS11 PS11

- Input Voltage AC 100~230V
- 1 laser driver circuit
- up to 2 TEC circuits
- TableTop 600W - d280mm
- TableTop 1000W - d380mm

Imax 5...100A
Puls up to 210A
Vmax 3...48V



DS01 LS01 PS01

- Input Voltage DC 24V
- 1 laser driver circuit
- up to 2 TEC circuits
- TableTop up to 400W
- OEM 300W - h85mm
- OEM 150W - h44mm

Imax 1...50A
Puls up to 100A
Vmax 3...24V



PS01 PS11

- bipolar current source
- continuous mode
- digital and analog input
- PID-loop, multiple sensors
- controllable fan output
- up to 2 TEC circuits

Imax $\pm 1... \pm 16A$
Vmax $\pm 4... 18V$



Accessories

- appropriate cables and power supplies
- special plugs, connectors

