

# HPOA-M

## Multi-Port, High Power Optical Amplifier

### Applications

- ▶ CATV, Broadcasting
- ▶ Telecom FTTH / Video Overlay
- ▶ Test & Measurement

### Features

- ▶ High Output Power, up to 5 Watts
- ▶ Low Noise Figure
- ▶ Compact Package



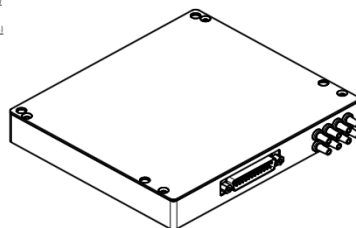
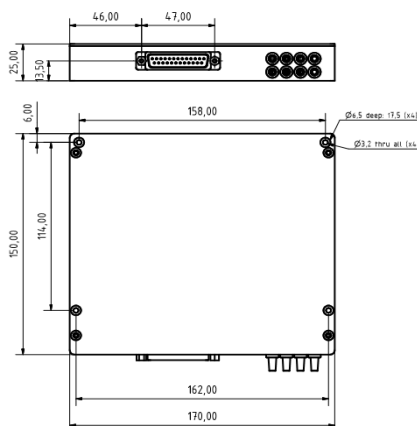
### Parameter

### Parameter Range

Parameter	Unit	Parameter Range
Wavelength	[nm]	1545 ... 1565
Output Power per Port	[dBm]	(16x) +24... (32x) +20 ... (64x) +17.5
Input Power Range	[dBm]	-8 ... +15
Noise Figure	[dB]	4.5
PDG	[dB]	0.5
PMD	[ps]	0.5
Optical Isolation	[dB]	30
Return Loss	[dB]	40
Fiber Termination / Connector		SC/APC, FC/APC, LC/APC, MPO, others
Power Supply Voltage	[V]	+5 / +24
Power Consumption	[W]	<50
Operating Case Temperature	[°C]	0 ... +70
Communication Interface		RS232

### Mechanical Dimensions

### Ordering Information



Custom variants are available upon request, please contact our customer service to discuss your specification requirements. Evaluation board available on request



Specifications are subject to change without notice