
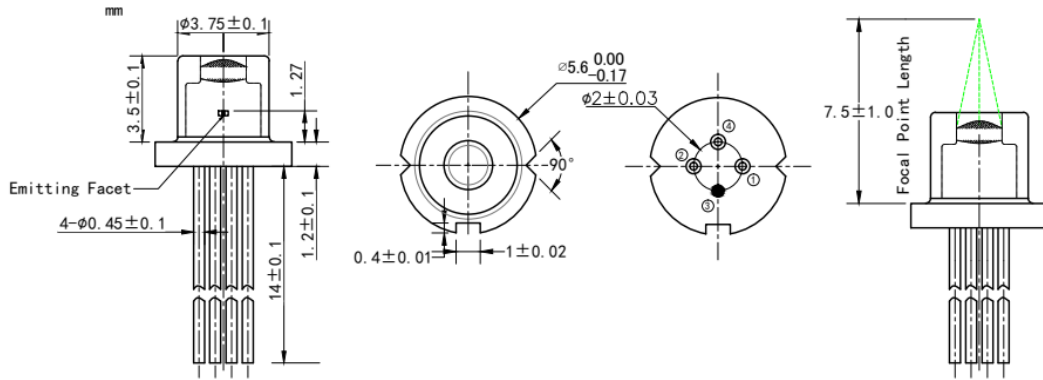


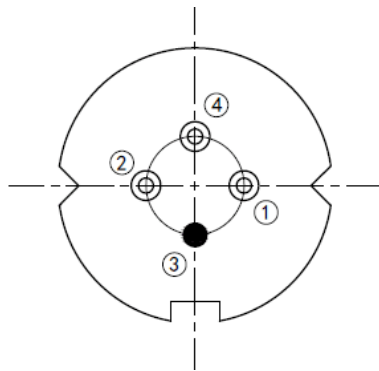
**1330nm 30mW DFB Laser Diodes | TO18 5.6mm LD | Flat Window Optional**  
**1330nm 30mW Single Mode LD | With Non-Spherical Lens | Built-in Photodiode**  
**RWLD-1330-030m-1-PD**

1330nm Laser Diode      30mW      Single mode /DFB			
Reverse Voltage	$V_r$	2.0	V
Operating Temperature	$T_{op}$	-10~+50	°C
Storage Temperature	$T_{stg}$	-40~+85	°C
Lead soldering temperature (10 sec.)	$T_{is}$	260	°C
<b>Features:</b> <ul style="list-style-type: none"> <li>1330nm</li> <li>DFB Laser</li> <li>Built-in PD</li> <li>With Non-Spherical Lens</li> <li>Flat Window Optional</li> </ul>			
<b>Applications:</b> <ul style="list-style-type: none"> <li>Optical Fiber Communication</li> <li>Free-space Optical Communication</li> </ul>			
<b>Specifications</b>		<b>RWLD-1330-030m-1-PD</b>	
		<b>Min</b>	<b>Type</b>
Center Wavelength@25°C		±3nm	1330nm
Spectral Width (FWHM)			0.3nm
Output Power			30mW
Recommend Operating Temperature			25°C
Laser Type			DFB
Reverse current (PD) $I_{rp}$			0.5mA
Reverse voltage (PD) $V_{rp}$			----
Threshold Current (Typ.)			5mA
Operating Current (Typ.)			90mA
Operating Voltage			1.4V
Package Style			TO18
Window Type			Flat Window (Optional)
			Non-Spherical-Lens Window (standard)

**Package View:**

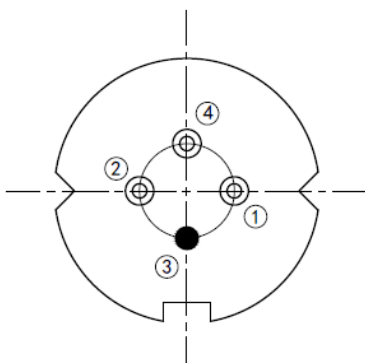


**PIN Bottom View (A-Type):**



PIN 1	PD (+)
PIN 2	LD (-)
PIN 3	LD (+), CASE
PIN 4	PD (-)

**PIN Bottom View (B-Type):**



PIN 1	LD (+) PD (-)
PIN 2	LD (-)
PIN 3	CASE
PIN 4	PD (+)

**Electrically shorten LD module and store in non-extreme conditions.  
Suggest using the constant current power supply.**

