


455nm 5.5W Collimated Laser Diode High Power LD| High Power Output Power| Collimation Beam

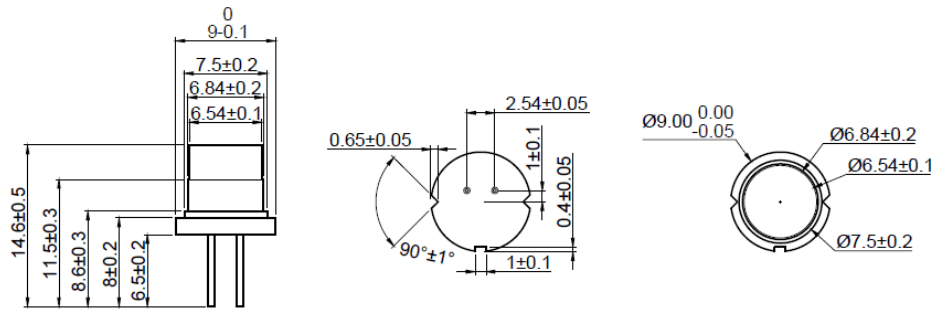
450nm~455nm 5.5W LD | Small Compact Package| Blue Diode Laser

RWSLD-455-5500m-K

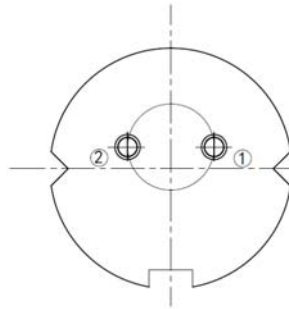
455nm Collimated Laser Diode		5.5W/TO5	
PARAMETER	SYMBOL	VALUE	UNIT
Reverse Voltage	V_r	2.0	V
Operating Temperature	T_{op}	0~+60	°C
Storage Temperature	T_{stg}	-40~+85	°C
Lead soldering temperature (10 sec.)	T_{is}	260	°C
Features: <ul style="list-style-type: none"> ● 455nm ● Collimated Laser Beam ● Small Compact Package ● Excellent Beam Quality ● Built-in PD Optional ● Built-in TEC Cooling Optional 			
Specifications		RWSLD-455-5500m-K	
		Min	Type
Center Wavelength@25°C		455nm±10nm	
Output Power (CW Mode)		----	5.5W
Spatial Mode		Multi-mode	
Lens Type		Aspheric Lens (with AR Coating)	
Beam Shape		Elliptical	
Beam Divergence (Full Angle)	Parallel ($\theta //$)	0.6°	0.8°
	Perpendicular ($\theta \perp$)	-1.0°	0°
Recommend Operating Temperature		25 °C	
Threshold Current (Typ.)		----	0.3A
Operating Current (Typ.)		----	3.5A
Operating Voltage		----	5.0V
Package		TO5(9mm)	

Package Drawing:

mm



PIN Bottom View:



1	LD(+)
2	LD(-)

Electrically shorten LD module and store in non-extreme conditions.
Suggest using the constant current power supply.

