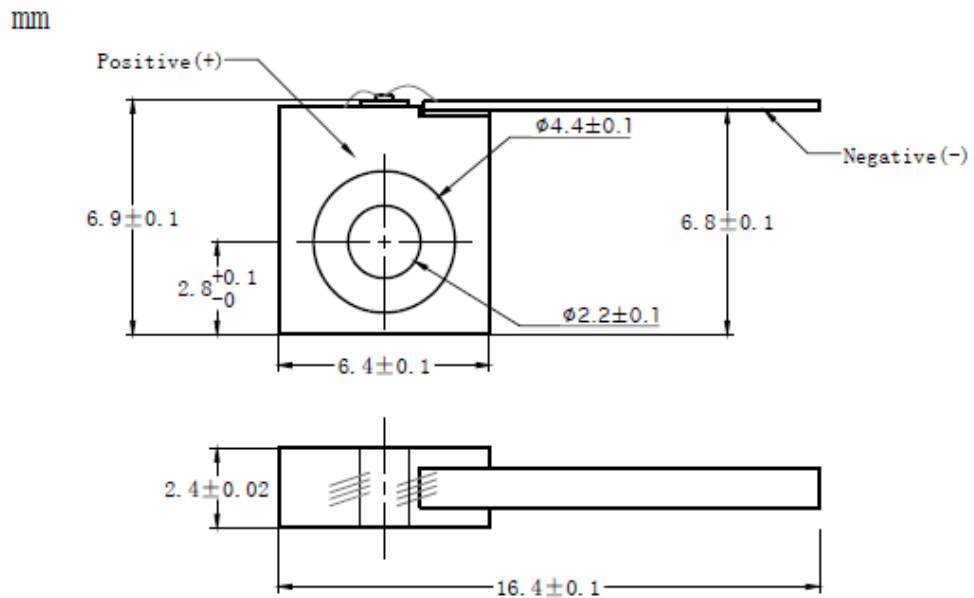


880nm 3W Laser Diode With C-mount Package | With FAC lens optional
870nm~880nm LD with 3W Output Power | Square Beam Optional
RWLP-880-003-C

880nm Laser Diode 3W/C-mount			
PARAMETER	SYMBOL	VALUE	UNIT
Reverse Voltage	V_r	2.0	V
Operating Temperature	T_{op}	+10~+30	°C
Storage Temperature	T_{stg}	-20~ +80	°C
Lead soldering temperature (10 sec.)	T_{is}	260	°C
Features: <ul style="list-style-type: none"> 880nm C-mount Package Square Beam Optional 			
Applications: <ul style="list-style-type: none"> Medical Laser Treatment Laser Indicator Laser Detector 			
Specifications	RWLP-880-003-C		
	Min	Type	Max
Center Wavelength@25°C	±3nm	880nm	±10nm
Spectral Width (FWHM)		2.0nm	
Output Power	----	3W	----
Emitter Area	----	150x1µm	----
Beam Divergence (FWHM)	----	35° _⊥ x 8° _{//}	----
Temperature Coefficient of Wavelength	----	0.3nm / °C	----
Slope Efficiency	----	1.1W/A	----
Threshold Current (Typ.)	----	0.5A	----
Operating Current (Typ.)	----	3.3A	----
Operating Voltage	----	1.8V	----
Package Style	C-mount		
Recommended Operating Temperature	25°C		

C-mount Package View



**Electrically shorten LD module and store in non-extreme conditions.
Suggest using the constant current power supply.**

