



FEATURES:

- ◆ Cost effective and maintenance free
- ◆ Excellent power stability
- ◆ Excellent system reliability
- ◆ Easy-to-use control

APPLICATION:

- ◆ Precision cutting
- ◆ Precision welding
- ◆ 3D printing (SLS/SLM)
- ◆ Sheet metal processing

Air Cooling Fiber Laser

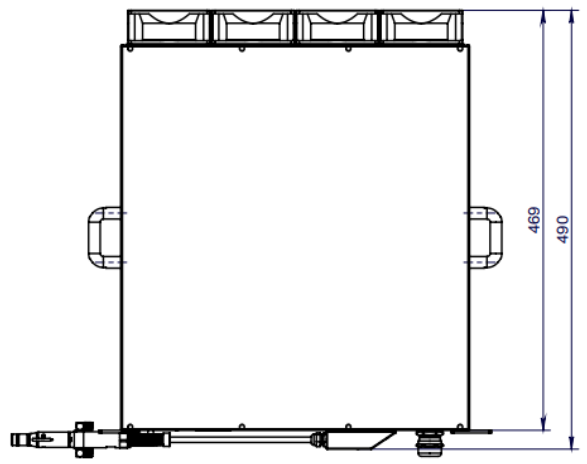
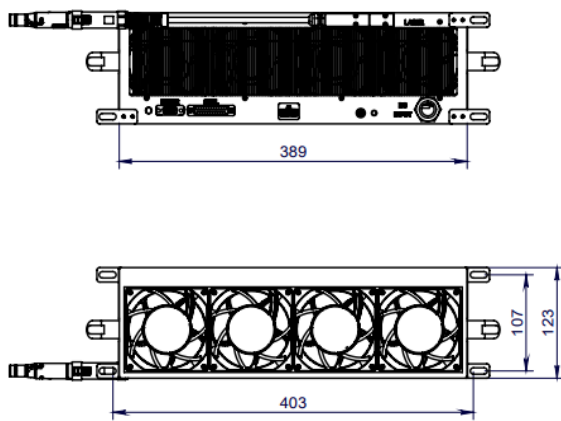
RPBF-ACW1500

Optical Character	
Power@25°C	1200W
Wavelength	1080±10 nm
Output Fiber Core Diameter	20 μm or customized
Output Cable Length	12 m or customized
Output Cable Connector	QBH
Aiming Beam	Red
Operation Mode	CW or modulation
Polarization	Random
Power Stability (25°C)	< 3% (2h)
Power Adjustment Scope	10%-100%
Max Modulation Frequency	5kHz
Size and Weight	
Physical Size (H×W×D)	Laser 123mm*389mm*490mm, power supply module 43mm*130mm*400mm
Weight	Laser 20±1kg, power supply module 3±1kg
Electronic Character	
Power Supply	Single Phase, 220±20 V, AC, PE, 50/60 Hz
Power Consumption	5.0 kW
Control Interface	RS232/AD
Air Cooling Parameters	
QBH Cooling Gas	N ₂ or Ar
QBH Gas Flow Rate	≥5 L/min
Operation Conditions	
Operation Temperature	-10-40°C
Operation RH	10-90%
Storage Temperature	-20-60°C

Air Cooling Fiber Laser

RPBFL-ACW1500

DIMENSIONS (mm)



Declaration: information and specifications contained herein are deemed to be reliable and accurate. BWT Tianjin reserves the right to change, alter or modify the design and specifications of these products at any time without notice.21-1