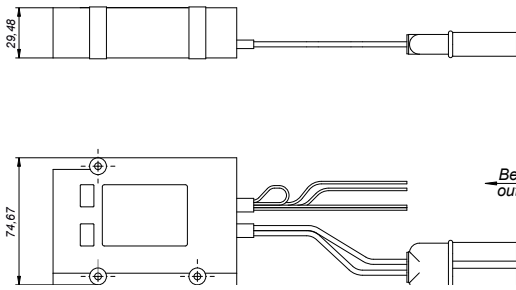


Accessories

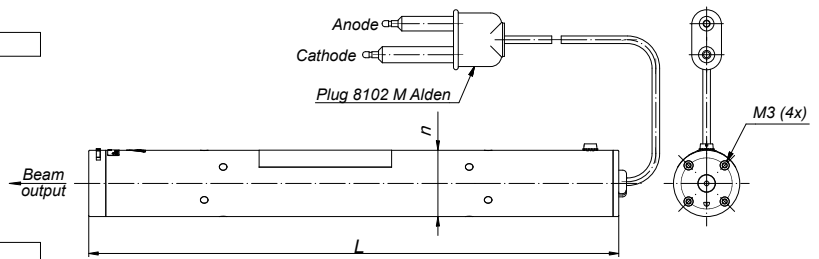
Model	Input [V]	Output [kVDC]	Operating current [mA]	Dimension L x W x H [mm]	Design		
OEM power supplies							
LGN 7462	12	2.2-2.5	6.5	101.6 x 38.1 x 25.4	B	DC Input	
LGN 7463	12	1.25-1.75	5	101.6 x 38.1 x 25.4	B		
LGN 7460 A	115/230	2.2-2.6	6.5	107.95 x 76.2 x 30.48	A	AC Input	
LGN 7461 A	115/230	1.25-1.75	5	107.95 x 76.2 x 30.48	A		
LGN 7470 A4	115/230	2.5-3.1	6.5	177.8 x 60.96 x 35.56	C		
Bench- top power supplies							
SAN 7460 A	115/230	2.2-2.6	6.5	231 x 212 x 70	D		
SAN 7460 A1	115/230	1.5-2.1	6.5	231 x 212 x 70	D		
SAN 7461 A	115/230	1.25-1.75	5	231 x 212 x 70	D		
SAN 7467 A	115/230	1.2-1.7	3.5	231 x 212 x 70	D		
SAN 7470 A	115/230	3.5	7	231 x 212 x 70	D		
SAN 7470 A4	115/230	2.5-3.1	6.5	231 x 212 x 70	D		
SAN 7460 AJ	100	2.2-2.6	6.5	231 x 212 x 70	D		
SAN 7461 AJ	100	1.25-1.75	5	231 x 212 x 70	D		
SAN 7467 AJ	100	1.2-1.7	3.5	231 x 212 x 70	D		
SAN 7470 AJ	100	3.1-3.7	7	231 x 212 x 70	D		
SAN 7470 A4J	100	2.5-3.1	7	231 x 212 x 70	D		

Drawings

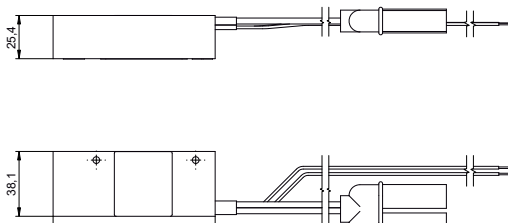
OEM power supply Design A



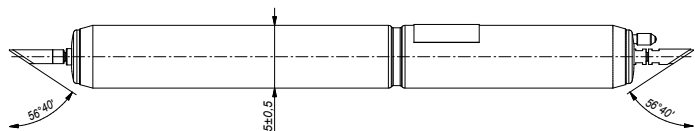
LASOS He-Ne Laser module



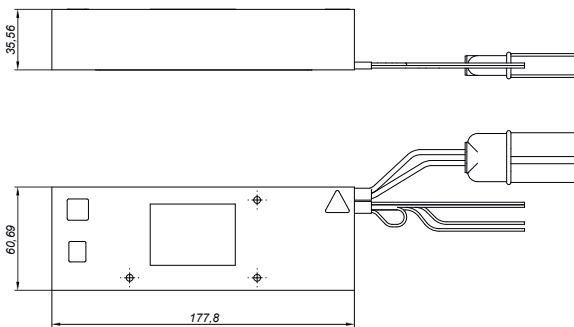
OEM power supply Design B



LASOS He-Ne Laser tube with brewster window termination



OEM power supply Design C



LASOS He-Ne Laser tube



OEM power supply Design D

