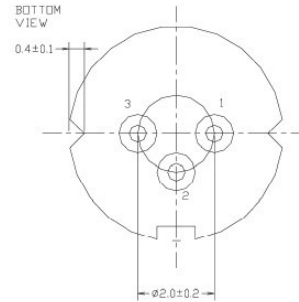
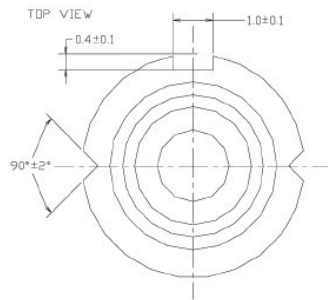
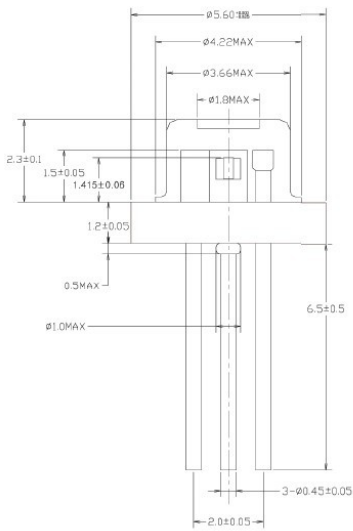


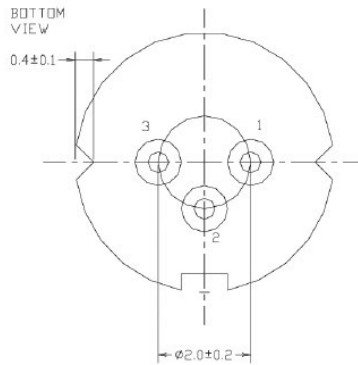
405nm 65mw Single Mode Laser Diode| SM LD  
 405nm LD |65mw Power|TO18 5.6mm Package  
 RWLD-405-065m-1

| 405nm Laser Diode   |   | 65mw                          |                              |
|---|---|-------------------------------|------------------------------|
| PARAMETER   | SYMBOL  | VALUE                         | UNIT                         |
| Reverse Voltage   | $V_r$   | 2.0                           | V                            |
| Operating Temperature   | $T_{op}$  | 0 ~ +70                       | °C                           |
| Storage Temperature   | $T_{stg}$   | -35 ~ +85                     | °C                           |
| Lead soldering temperature (10 sec.)  | $T_{is}$  | 260                           | °C                           |
| <b>Features:</b> <ul style="list-style-type: none"> <li>• 405nm</li> <li>• CW</li> <li>• TO18 package</li> <li>• Single Mode</li> </ul> |  |                               |                              |
| <b>Applications:</b> <ul style="list-style-type: none"> <li>• Medical laser treatment</li> <li>• Laser indicator</li> </ul>             |   |                               |                              |
| <b>Specifications</b>   | <b>RWLD-405-065m-1</b>  |                               |                              |
|   | Min   | Type                          | Max                          |
| Center Wavelength@25°C  | 402nm   | 406nm                         | 410nm                        |
| Spectral Width (FWHM)   | 2.0nm   |                               |                              |
| Output Power  | ----  | ----                          | 65mw                         |
| Emitter   | Single  |                               |                              |
| Beam Divergence (FWHM)  | $16^\circ \pm x 6^\circ //$   | $20^\circ \pm x 8.5^\circ //$ | $24^\circ \pm x 11^\circ //$ |
| Monitor Current   | ----  |                               |                              |
| PD Reverse Voltage  | ----  |                               |                              |
| PD Forward Current  | ----  |                               |                              |
| Slope Efficiency  | 1.0mW/mA  | 1.3mW/mA                      | 1.7mW/mA                     |
| Threshold Current (Typ.)  | ----  | 35mA                          | 50mA                         |
| Operating Current (Typ.)  | ----  | 85mA                          | 115mA                        |
| Operating Voltage   | ----  | 4.8V                          | 5.3V                         |
| Package Style   | TO18 (5.6mm)  |                               |                              |

**T018(5.6mm) Package View**



**PIN Bottom View:**



|          |              |
|----------|--------------|
| <b>1</b> | <b>LD(-)</b> |
| <b>2</b> | <b>GND</b>   |
| <b>3</b> | <b>LD(+)</b> |

**Electrically shorten LD module and store in non-extreme conditions.  
Suggest using the constant current power supply.**

