



PART NUMBER 0532L-21B  
 ITEM NAME 532 NM SLM LASER (DPSS; FREE-SPACE)

## PRODUCT DATASHEET



### DESCRIPTION

Green single-frequency laser at 532 nm is one of the most important lines for Raman excitation. Very narrow spectrum combined with good beam quality makes this laser perfect for scanning micro Raman applications.

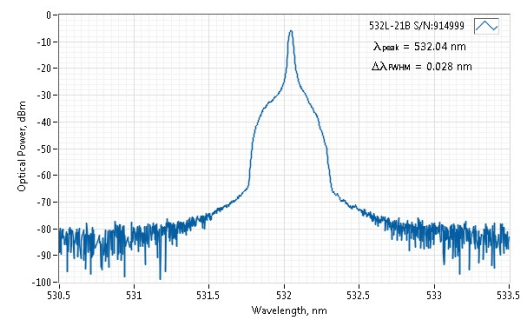
The 532 nm SLM laser is a very compact DPSS module for portable diagnostic applications, RGB holography, as well as various scientific setups. The module contains a powerful TEC cooler, microprocessor-based electronics, a USB control interface and many useful accessories for ease of integration. In portable applications, this laser can be powered from conventional USB power banks. For fiber delivery, please check MM, SM, PM fiber output options. Higher output power is available on request.

### SPECIFICATIONS

Last edited on: 24 January 2019

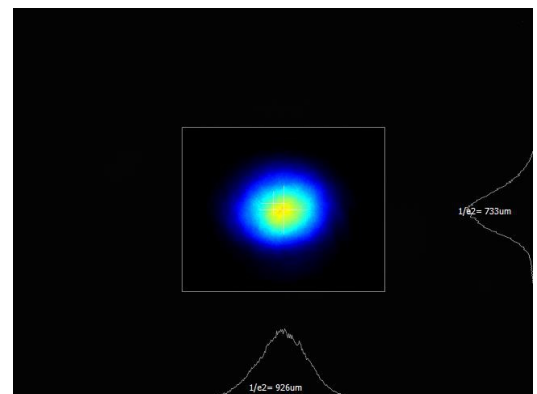
Parameter	Minimum Value	Typical Value	Maximum Value
Central Wavelength, nm	531.9	532.0	532.1
Longitudinal modes	-	Single	-
Spectral line width FWHM, pm	-	0.2 <sup>1</sup>	1
Output power, mW	-	50 <sup>2</sup>	-
Side-mode suppression ratio (SMSR), dB	40	50	60
Power stability, % (RMS, 8 hrs)	-	0.4 <sup>3</sup>	1
Power stability, % (peak-to-peak, 8 hrs)	-	2 <sup>4</sup>	3
Noise, % (RMS, 20 Hz to 20 MHz)	-	0.5 <sup>5</sup>	1
Transversal modes	-	TEM00	-
Beam Diameter at Aperture (1/e <sup>2</sup> ), mm	-	1	-
Beam divergence (full angle), mrad	-	1.1	-
M <sup>2</sup> horizontal axis	-	1.1	-
M <sup>2</sup> vertical axis	-	1.1	-
M <sup>2</sup> effective	-	1.1	1.3
Polarization direction	-	Vertical <sup>6</sup>	-
Polarization contrast	500	1000	2000
Control interface type	-	UART/USB	-
Operation mode	-	APC (CW)	-
Modulation bandwidth, MHz	-	N/A <sup>7</sup>	-
Input voltage, VDC	4.8	5	5.3
External power supply requirement	-	+5 V DC, 5A	-
Dimensions, mm	-	50 x 30 x 18 <sup>8</sup>	-

### TYPICAL SPECTRUM



Typical spectrum of 0532 nm DPSS laser. Measured with 20 pm resolution.

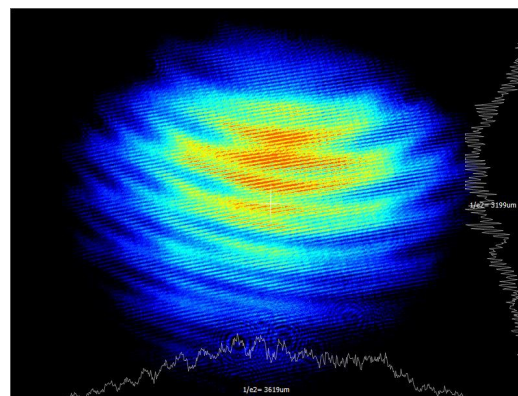
### TYPICAL NEAR FIELD



Typical near field (0.45 m from output aperture) beam profile. Circular beam of a 0532 nm DPSS laser.

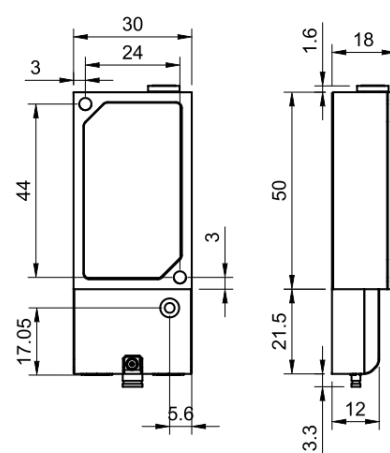
### TYPICAL FAR FIELD

Beam height from the base, mm	9.9	10.4	10.9
Heat-sinking requirement, °C/W	-	0.5	-
Optimum heatsink temperature, °C	15	20	30
Warm up time, mins (cold start)	1	3	5
Temperature stabilization	-	Yes	-
Overheat protection	-	Yes	-
Storage temperature, °C (non-condensing)	-10	-	50
Net weight, kg	0.1	0.12	0.14
Max. power consumption, W	5	10	20
Warranty, months (op. hrs)	-	14 (10000) <sup>9</sup>	-
Residual IR wavelength contrast, dB	-	20	-
RoHS	-	Yes	-
CE compliance	-	- General Product Safety Directive (GPSD) 2001/95/EC - (EMC) Directive 2004/108/EC	-
Laser Safety Class	-	3B	-
OEM lasers are not compliant with	-	IEC60825-1:2014 (compliant using additional accessories)	-
Country of origin	-	Lithuania	-



Typical far field (2.75 m from output aperture) beam profile. Circular beam of a 0532 nm DPSS laser.

## DRAWING



Matchbox (with breakout-box) dimensions

<sup>1</sup> Measured with a scanning Fabry-Perot interferometer having 7.5 Mhz resolution, with scanning frequency of about 10 Hz. Interferometer testing is not provided for each laser being manufactured, the standard test is OSA measurement with 10-20 pm resolution instead.

<sup>2</sup> The optical power of SLM lasers shall not be tuned and SLM performance is not guaranteed at power ratings other than the factory preset. However, the power setting capability is not disabled. External attenuators are recommended.

<sup>3</sup> Long term power test is carried out using an optical power meter with an input bandwidth of 10 Hz. Actual measurement rate has a period of about 20 seconds to 1 minute.

<sup>4</sup> Long term power test is carried out using an optical power meter with an input bandwidth of 10 Hz. Actual measurement rate has a period of about 20 seconds to 1 minute.

<sup>5</sup> Noise level is measured with a fast photodiode connected to an oscilloscope. The overall system bandwidth is from 2 kHz to 20 MHz.

<sup>6</sup> For lasers without integrated optical isolators.

<sup>7</sup> SLM lasers shall not be modulated - use external modulators instead.

<sup>8</sup> Excluding control interface pins and an output window/fiber assembly.

<sup>9</sup> Whichever occurs first. The laser has an integrated operational hours counter.

Note: Product specifications are subject to change without prior notice to improve reliability, function or design or otherwise.