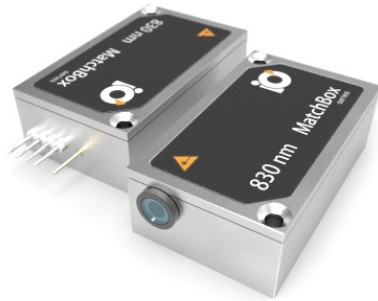



 PART NUMBER 0830L-11A
 ITEM NAME 830 NM LASER (DIODE; FREE-SPACE)

PRODUCT DATASHEET



DESCRIPTION

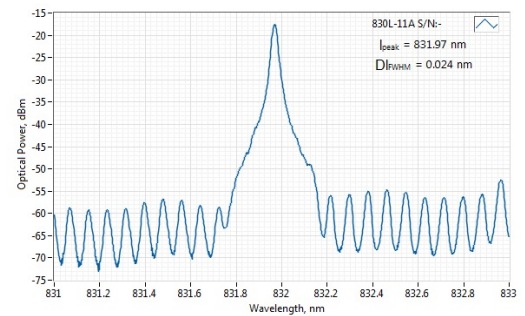
830 nm infrared lasers of the MatchBox series. These lasers are used as a compact and cost effective laser sources for metrology and spectroscopy applications.

SPECIFICATIONS

Last edited on: 24 January 2019

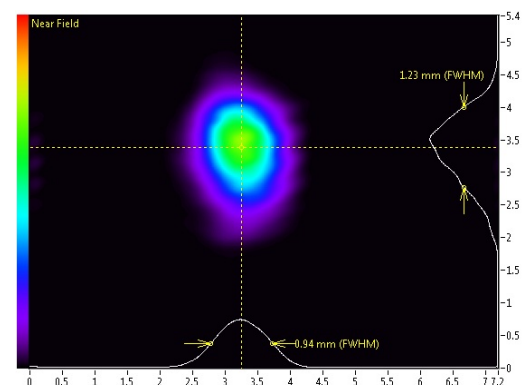
| Parameter | Minimum Value | Typical Value | Maximum Value |
|---|---------------|---------------------------|---------------|
| Central Wavelength, nm | 820 | 830 | 840 |
| Longitudinal modes | - | multiple | - |
| Spectral line width FWHM, nm | - | 0.5 | 1 |
| Output power, mW | - | 130 ¹ | - |
| Power stability, % (RMS, 8 hrs) | - | 0.2 ² | 1 |
| Power stability, % (peak-to-peak, 8 hrs) | - | 2 ³ | 3 |
| Noise, % (RMS, 20 Hz to 20 MHz) | - | 0.25 ⁴ | 0.6 |
| Transversal modes | - | TEM ₀₀ | - |
| Beam Diameter at Aperture (1/e ²), mm | - | 1 | - |
| Beam divergence (full angle), mrad | - | 1.1 | - |
| M ² horizontal axis | - | 1.1 | 1.4 |
| M ² vertical axis | - | 1.2 | 1.5 |
| M ² effective | - | 1.2 | 1.5 |
| Polarization direction | - | horizontal ⁵ | - |
| Polarization contrast | 1000 | 2000 | 5000 |
| Control interface type | - | UART/USB | - |
| Operation mode | - | APC (CW) | - |
| Modulation bandwidth, MHz | - | optional ⁶ | - |
| Input voltage, VDC | 4.8 | 5 | 5.3 |
| External power supply requirement | - | +5 V DC, 1.5 A | - |
| Dimensions, mm | - | 50 x 30 x 18 ⁷ | - |
| Beam height from the base, mm | 9.9 | 10.4 | 10.9 |
| Heat-sinking requirement, °C/W | - | 1 | - |

TYPICAL SPECTRUM



Typical spectrum of 830 nm diode laser. Measured with 20 pm resolution.

TYPICAL NEAR FIELD



Typical near field (0.45 m from output aperture) beam profile. Non-circularized beam of a 830 nm direct diode laser.

TYPICAL FAR FIELD

| | | | |
|--|-----|--|----|
| Optimum heatsink temperature, °C | 15 | 20 | 30 |
| Warm up time, mins (cold start) | 0.1 | 0.5 | 1 |
| Temperature stabilization | - | Yes | - |
| Overheat protection | - | Yes | - |
| Storage temperature, °C (non-condensing) | -10 | - | 50 |
| Net weight, kg | 0.4 | 0.12 | 10 |
| Max. power consumption, W | - | 2 | - |
| Warranty, months (op. hrs) | - | 14 (10000) ⁸ | - |
| RoHS | - | Yes | - |
| CE compliance | - | - General Product Safety Directive (GPSD) 2001/95/EC - (EMC) Directive 2004/108/EC | - |
| Laser Safety Class | - | 3B | - |
| OEM lasers are not compliant with | - | IEC60825-1:2014 (compliant using additional accessories) | - |
| Country of origin | - | Lithuania | - |

¹ The optical power can be tuned from virtually 0% to 100%. However, other specifications, such as central wavelength, power stability, noise, polarization ratio, beam shape, quality and circularity are not guaranteed at power levels other than factory preset power. Significantly worse power stability is to be expected at very low power levels, e.g. <3% from specified nominal power.

² Long term power test is carried out using an optical power meter with an input bandwidth of 10 Hz. Actual measurement rate has a period of about 20 seconds to 1 minute.

³ Long term power test is carried out using an optical power meter with an input bandwidth of 10 Hz. Actual measurement rate has a period of about 20 seconds to 1 minute.

⁴ Noise level is measured with a fast photodiode connected to an oscilloscope. The overall system bandwidth is from 2 kHz to 20 MHz.

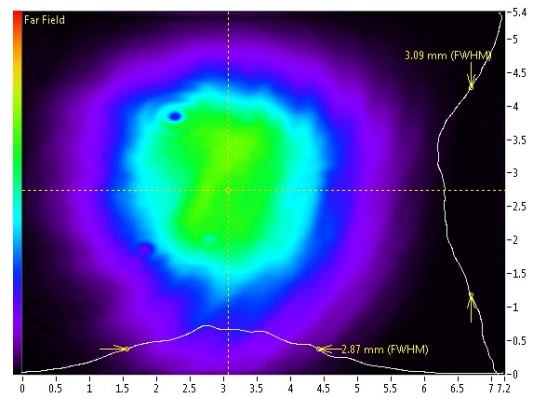
⁵ For lasers without integrated optical isolators.

⁶ TTL digital modulation up to 10 MHz.

⁷ Excluding control interface pins and an output window/fiber assembly.

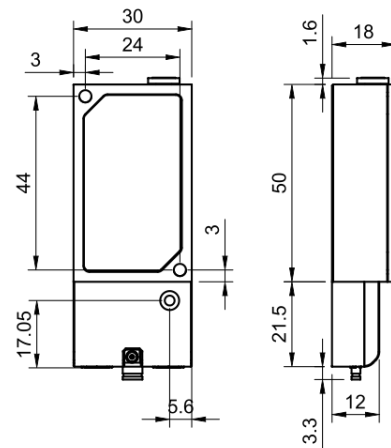
⁸ Whichever occurs first. The laser has an integrated operational hours counter.

Note: Product specifications are subject to change without prior notice to improve reliability, function or design or otherwise.



Typical far field (2.75 m from output aperture) beam profile. Non-circularized beam of a 0830 nm direct diode laser.

DRAWING



Matchbox (with breakout-box) dimensions