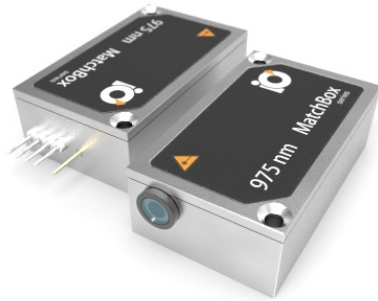



 PART NUMBER 0975L-11A
 ITEM NAME 975 NM LASER (DIODE; FREE-SPACE)

PRODUCT DATASHEET



DESCRIPTION

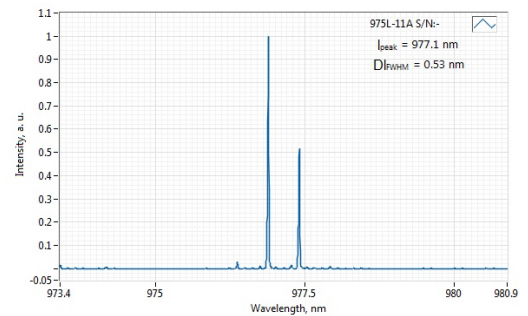
975 nm IR wavelength radiation emitted from InGaAs semiconductor (diode) lasers. Such 975 nm lasers are diode laser sources emitting in near infrared region. This is a TEM00 free space diode laser module, which could be easily connected and controlled via USB.

SPECIFICATIONS

Last edited on: 24 January 2019

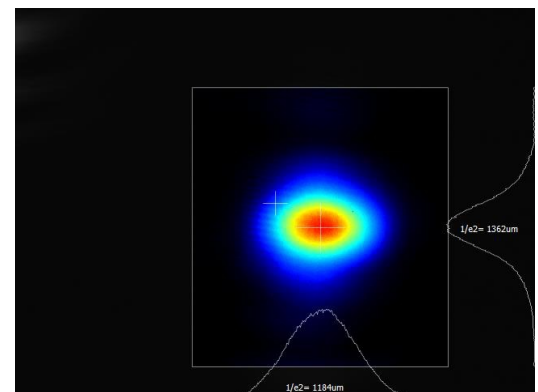
Parameter	Minimum Value	Typical Value	Maximum Value
Central Wavelength, nm	967	972	977
Longitudinal modes	-	multiple	-
Spectral line width FWHM, nm	-	0.5	1
Output power, mW	-	200 ¹	-
Power stability, % (RMS, 8 hrs)	-	0.2 ²	1
Power stability, % (peak-to-peak, 8 hrs)	-	2 ³	3
Noise, % (RMS, 20 Hz to 20 MHz)	-	0.25 ⁴	0.6
Transversal modes	-	TEM00	-
Beam Diameter at Aperture (1/e ²), mm	-	1	-
Beam divergence (full angle), mrad	-	1.1	-
M ² horizontal axis	-	1.1	1.4
M ² vertical axis	-	1.2	1.5
M ² effective	-	1.2	1.5
Polarization direction	-	Horizontal ⁵	-
Polarization contrast	1000	2000	5000
Control interface type	-	UART/USB	-
Operation mode	-	APC (CW)	-
Modulation bandwidth, MHz	-	optional ⁶	-
Input voltage, VDC	4.8	5	5.3
External power supply requirement	-	+5 V DC, 1.5 A	-
Dimensions, mm	-	50 x 30 x 18 ⁷	-
Beam height from the base, mm	9.9	10.4	10.9
Heat-sinking requirement, °C/W	-	1	-

TYPICAL SPECTRUM



Typical spectrum of 975 nm diode laser. Measured with 20 pm resolution.

TYPICAL NEAR FIELD



Typical near field (0.45 m from output aperture) beam profile. Non-circularized beam of a 975 nm direct diode laser.

TYPICAL FAR FIELD

Optimum heatsink temperature, °C	15	20	30
Warm up time, mins (cold start)	0.1	0.5	1
Temperature stabilization	-	Yes	-
Overheat protection	-	Yes	-
Storage temperature, °C (non-condensing)	-10	-	50
Net weight, kg	0.1	0.12	0.14
Max. power consumption, W	0.4	2	10
Warranty, months (op. hrs)	-	14 (10000) ⁸	-
RoHS	-	Yes	-
CE compliance	-	- General Product Safety Directive (GPSD) 2001/95/EC - (EMC) Directive 2004/108/EC	-
Laser Safety Class	-	3B	-
OEM lasers are not compliant with	-	IEC60825-1:2014 (compliant using additional accessories)	-
Country of origin	-	Lithuania	-

¹ The optical power can be tuned from virtually 0% to 100%. However, other specifications, such as central wavelength, power stability, noise, polarization ratio, beam shape, quality and circularity are not guaranteed at power levels other than factory preset power. Significantly worse power stability is to be expected at very low power levels, e.g. <3% from specified nominal power.

² Long term power test is carried out using an optical power meter with an input bandwidth of 10 Hz. Actual measurement rate has a period of about 20 seconds to 1 minute.

³ Long term power test is carried out using an optical power meter with an input bandwidth of 10 Hz. Actual measurement rate has a period of about 20 seconds to 1 minute.

⁴ Noise level is measured with a fast photodiode connected to an oscilloscope. The overall system bandwidth is from 2 kHz to 20 MHz.

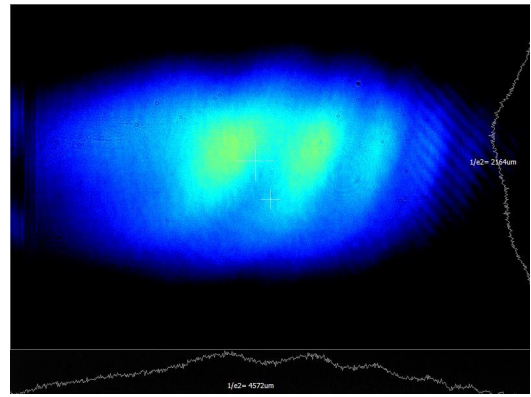
⁵ For lasers without integrated optical isolators.

⁶ Modulation is implemented upon request.

⁷ Excluding control interface pins and an output window/fiber assembly.

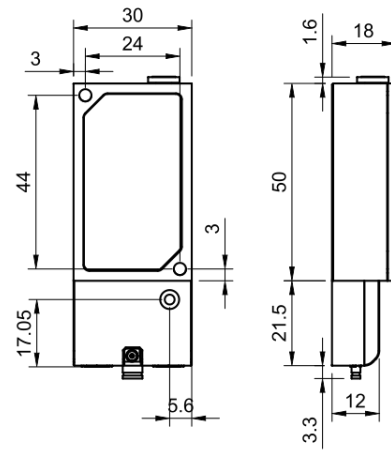
⁸ Whichever occurs first. The laser has an integrated operational hours counter.

Note: Product specifications are subject to change without prior notice to improve reliability, function or design or otherwise.



Typical far field (2.75 m from output aperture) beam profile. Non-circularized beam of a 0975 nm direct diode laser.

DRAWING



Matchbox (with breakout-box) dimensions