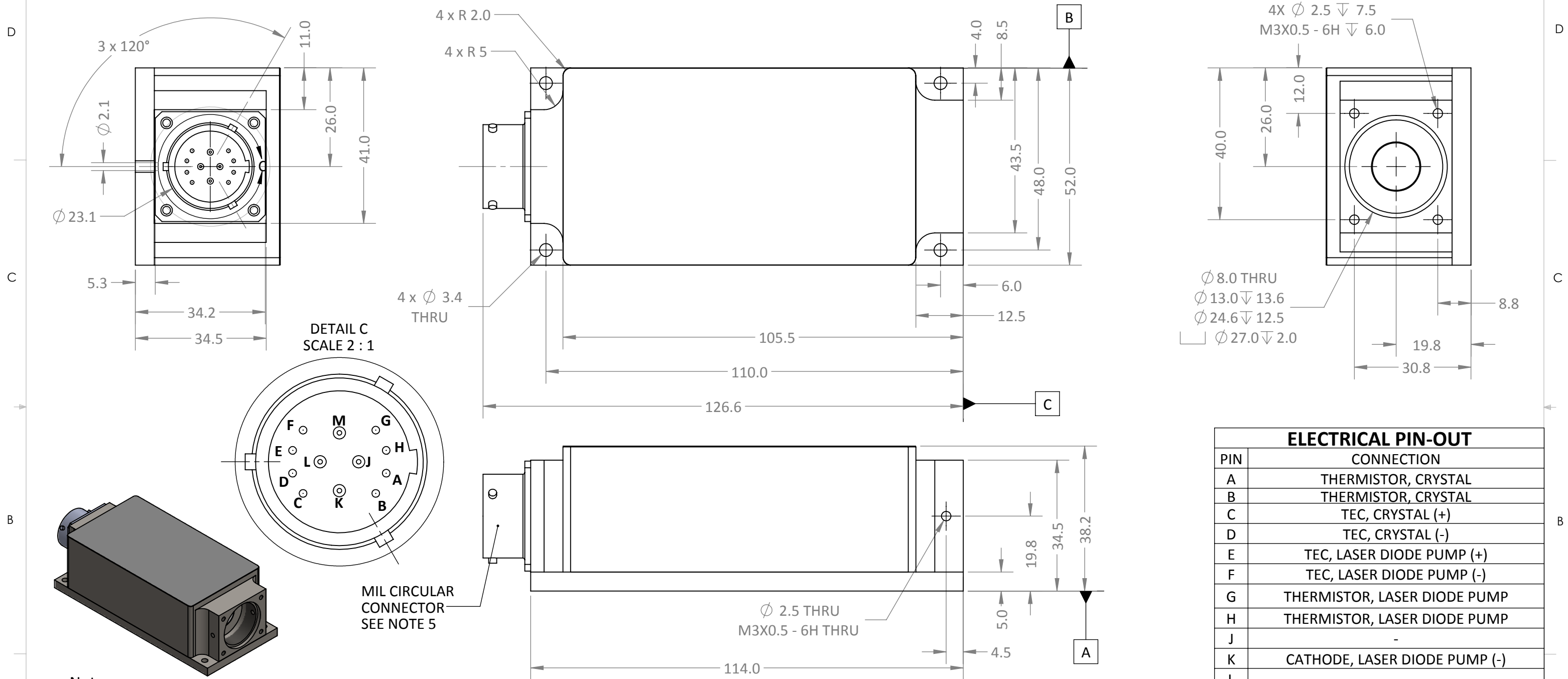


REVISIONS			
REV.	DESCRIPTION	DATE	APPROVED
1	INITIAL RELEASE	7/31/2015	GAP
A	ECN RELEASE	8/6/2015	GAP



DETAIL C
SCALE 2 : 1

MIL CIRCULAR
CONNECTOR
SEE NOTE 5

ELECTRICAL PIN-OUT	
PIN	CONNECTION
A	THERMISTOR, CRYSTAL
B	THERMISTOR, CRYSTAL
C	TEC, CRYSTAL (+)
D	TEC, CRYSTAL (-)
E	TEC, LASER DIODE PUMP (+)
F	TEC, LASER DIODE PUMP (-)
G	THERMISTOR, LASER DIODE PUMP
H	THERMISTOR, LASER DIODE PUMP
J	-
K	CATHODE, LASER DIODE PUMP (-)
L	-
M	ANODE, LASER DIODE PUMP (+)

Notes:

1. Mechanical Reference only. See configurator for "MRW" part numbers. Dimensions are reference only.
2. The use of a thermal pad between the package and heat sink is **required**. Size the heatsink for the device's **operational limit** (see spec sheet).
3. Package is plated with Electroless Nickel.
4. A TEC dual-controller (2X) is **required** for normal operation or severe damage can occur that will destroy the device. Sheumann Laser can provide the controller upon request.
5. Female, Circular Connector is MIL-DTL-26482 Series I, PT
6. Window is AR coated.
7. Package is hermetically sealed.

DIMENSIONS mm [in]
UNLESS OTHERWISE SPECIFIED TOLERANCES ARE:
ANGULAR: ± 30 MINUTES
X ± .25 [.010]
X.X ± .13 [.005]
X.XX ± .05 [.002]
X.XXX ± .025 [.001]
CONTACT SHEUMANN LASER, INC. FOR DIMENSIONS AND FEATURES NOT SHOWN. ALL INFORMATION ON THIS DRAWING SUBJECT TO CHANGE WITHOUT NOTICE.
DO NOT SCALE DRAWING

PROPRIETARY AND CONFIDENTIAL

THE INFORMATION CONTAINED IN THIS DRAWING IS THE SOLE PROPERTY OF SHEUMANN LASER, INC. ANY REPRODUCTION IN PART OR AS A WHOLE WITHOUT THE WRITTEN PERMISSION OF SHEUMANN LASER, INC. IS PROHIBITED.

INTERPRET GEOMETRIC TOLERANCING PER: ASME Y14.5M-1994

THIRD ANGLE PROJECTION

SHEUMANN

TITLE: MRW

SIZE B	DWG. NO. RDW 840016	REV A
SCALE: 1:1	SHEET 1 OF 1	