

# HFL-1

## 1µm Band High Power Pulsed Fiber Laser

### Applications

- ▶ Distance measurement Airborne LIDAR
- ▶ 3D Scanning
- ▶ Test & Measurement

### Features

- ▶ High peak power, up to 25kW
- ▶ Compact Package
- ▶ Low Power Consumption



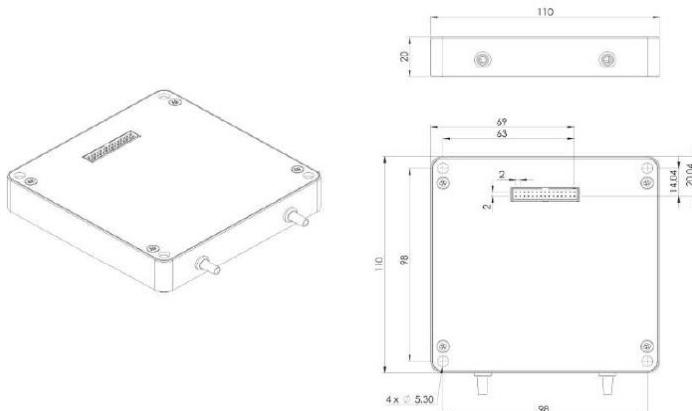
### Parameter

### Parameter Range

Parameter	Unit	Parameter Range
Center Wavelength	[nm]	1030 / 1053 / 1064 ... 1100
Wavelength Drift	[nm/°C]	0.1
Laser Peak power	[W]	Up to 25
Laser Output Power, average	[W]	Up to 5
Pulse Width	[ns]	0.4 ... 10
Pulse Energy	[µJ]	Up to 150
Repetition rate	[kHz]	10 ... 500
Pulse Timing		External trigger, TTL
Polarization		Random / Linear
Mechanical Dimensions	[mm]	110x110x20
Operating Case Temperature	[°C]	-5...+65
Output Fiber length	[cm]	30
Output Termination		SC/APC, FC/APC, Collimator
Power Supply Voltage	[VDC]	+12 / +24
Power Consumption	[W]	<50
Communication Interface		RS-232

### Mechanical Dimensions

### Ordering Information



Custom variants are available upon request, please contact our customer service to discuss your specification requirements.

Evaluation board available on request



Specifications are subject to change without notice