

HPOA-S

High Power Optical Amplifier

Application

- ▶ Free Space Communication
- ▶ Test & Measurement

Features

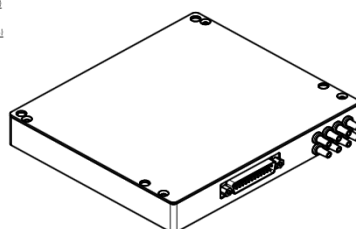
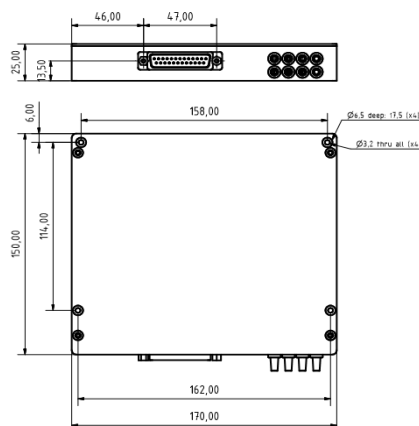
- ▶ High Output Power, up to +40dB
- ▶ Compact Package (150 x 170 x 25 mm)
- ▶ Low Noise Figure
- ▶ Digital Control System



Parameter

		HPOA-S340	HPOA-S370	HPOA-S400
Wavelength	[nm]		1535...1565	
Output Power	[dBm]	+34	+37	+40
Input Power Range	[dBm]	-8...+15	-8...+15	-8...+15
Noise Figure	[dB]	5.5	5.5	5.5
PDG	[dB]		0.5	
PMD	[ps]		0.5	
Optical Isolation	[dB]		30	
Return Loss	[dB]		40	
Power Supply Voltage	[V]		+5 / +24	
Power Consumption	[W]	30	45	90
Operating Case Temperature	[°C]		0...+70	
Optical Connector		SC/APC, FC/APC, others		
Communication Interface		RS-232		

Mechanical Dimensions



Ordering Information

Custom variants are available upon request, please contact our customer service to discuss your specification requirements.

Evaluation board available on request



Specifications are subject to change without notice