

EL series Line Laser System



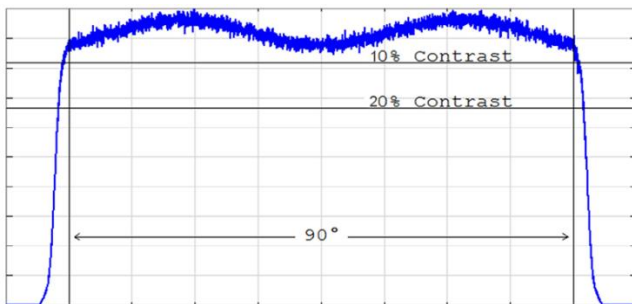
Features

- High Uniformity
- High power
- High reliability
- Modular design, strong scalability
- Long life, maintenance free

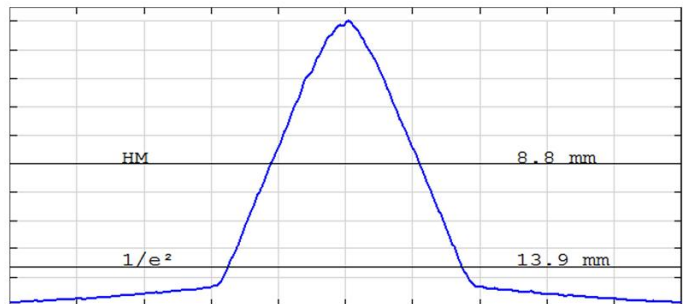
Applications

- Rail transit surface defect inspection
- Highway & bridge surface defect detection

Laser Energy Distribution :



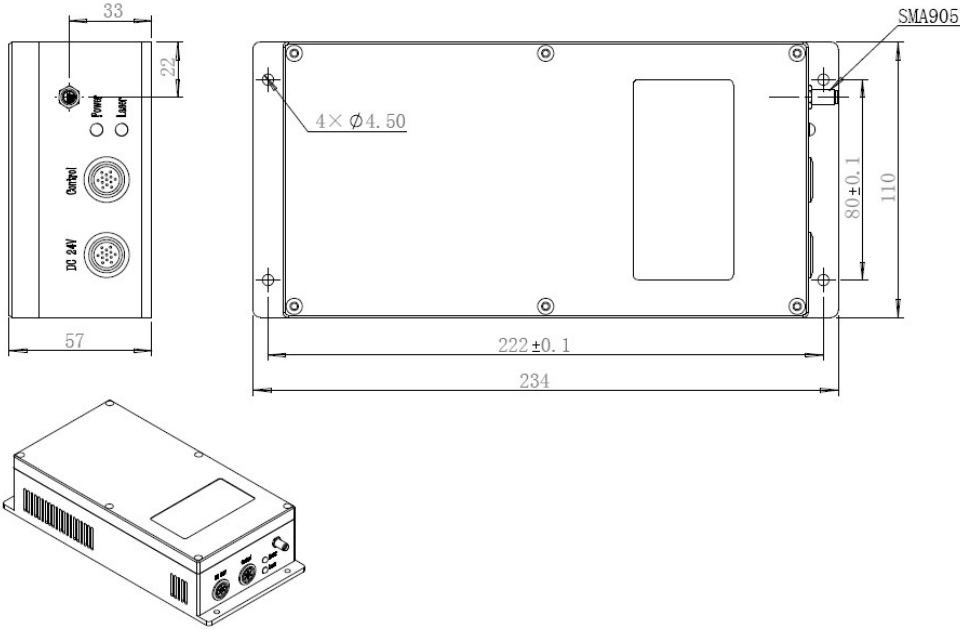
Line length direction @2m



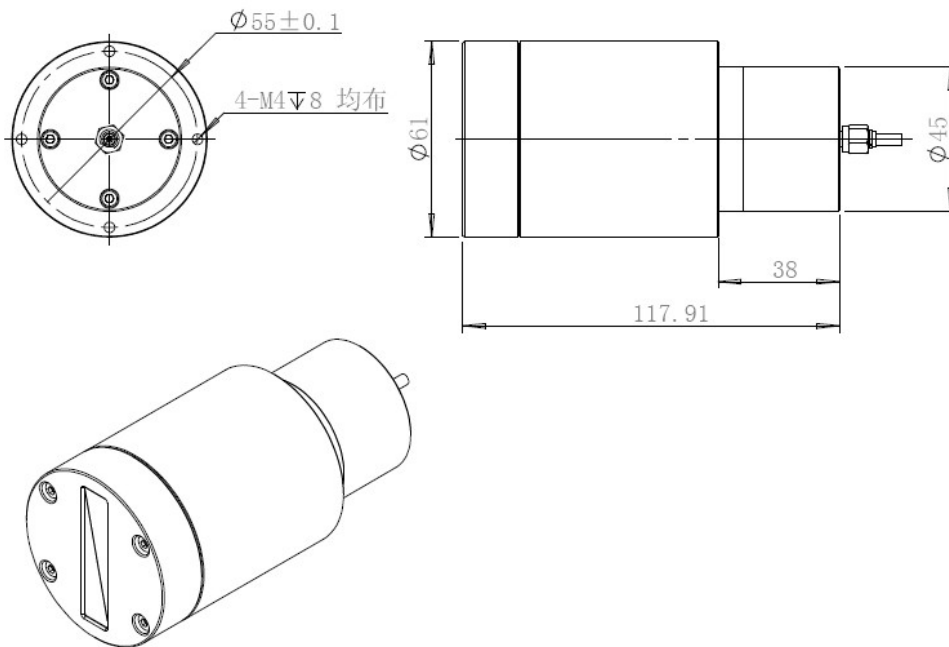
Line width direction @2m

Device Dimension(mm)

Laser Module Dimensions (mm)



Beam Shaper Dimensions (mm)



The drawings are for reference only. If you have any other special requirements, please contact us in time.

EL** Line Laser System		YS-EL75-W10D1500P20	YS-EL90-W10D1500P20	YS-EL110-W10D1500P20	
Line Laser Beam Shaper	Beam shaper model	YS-EL75-W10D1500	YS-EL90-W10D1500	YS-EL110-D10D1500	
	Fan angle (flat-top area)	°	≥75	≥90	≥110
	Wavelength range	nm	790-950	790-950	778-838
	Line width	mm	10±2	10±2	10±2
	Line uniformity (line length derrection)	%	≥85	≥85	≥85
	Working distance	m	1~3	1~3	1~3
	Fiber connector	/	SMA905	SMA905	SMA905
	Fiber length ¹	m	1.5	1.5	1.5
Laser Module	Wavelength	nm		808	
	Wavelength deviation	nm		±10	
	Wavelength temp drift coefficient	nm/°C		~0.3	
	power ²	W		≥20	
	Electrical Parameters				
	Working voltage (DC)	V		24±10%	
	Working current ³	A		≤6	
Control interface ⁴	/	Manual control / RS485 remote control of /TTL/ switch quantity			
Packaging parameters					
Laser module (l x w x h)	mm		234×110×57		
Beam shaper module (dx l)	mm		Φ61×124		
Weight	Kg		≤ 2		
Environmental parameters					
Working temperature range	°C		-40~70		
Storage temperature range	°C		-45~85		

1The length of the fiber can be customized according to the needs of the customer;

2The output power is measured at 25 C at room temperature;

3 The working current varies according to the output power, and the maximum is not more than 6A;

4 The RS484/TTL/ switch quantity control interface is set as one of the customers' needs;

Note: the line light source system consists of a laser light source and a plastic lens, with a 1.5 meter optical fiber (400 mu m). The plastic lens can be ordered separately. If there is a custom requirement, please consult the sales staff of Focuslight.

For any other special requirements, please feel free to contact us.



Focuslight Technologies Inc.

Add: 56 Zhangba 6th Road, High-Tech Zone
 Add: Xi'an, Shaanxi 710077, P. R. China
 Tel: +86 29 8956 0050
 Fax: +86 29 8177 5810
 Email: sales@focuslight.com.cn
 Website: www.focuslight.com