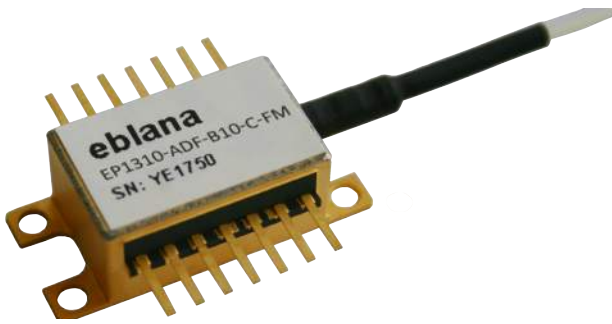


1310nm LASER

EP1310-ADF-B

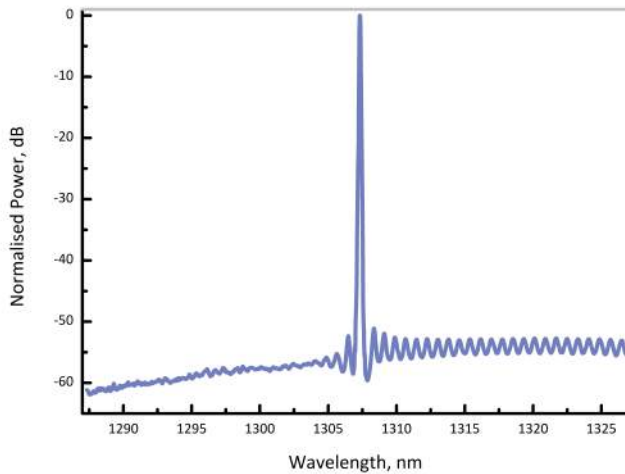


eblanaphotonics

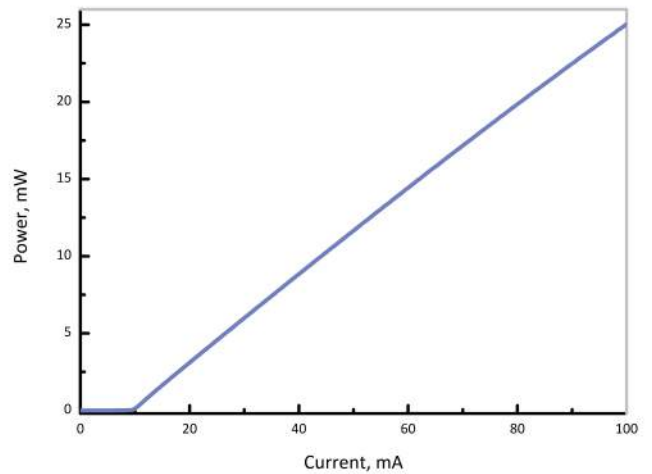


ADVANCED COMMUNICATIONS

Eblana Photonics EP1310-ADF-B laser diode, available at a range of wavelengths from 1300 - 1320nm, is specially designed for telecoms applications such as long reach analog transmission and CATV. This cost effective laser features a highly linear output and excellent SMSR performance.



Optical Spectrum at 25°C



Output power as a function of bias current

ELECTRO-OPTICAL CHARACTERISTICS* ($T_{SUB} = 25^{\circ} C$)

PARAMETER	SYMBOL	MIN	TYP	MAX	UNIT
Centre Wavelength Range	λ	1300	1310	1320	nm
Wavelength specification	λ_{spec}	$\lambda - 5$	λ	$\lambda + 5$	nm
Side Mode Supression Ratio	SMSR	35	-	-	dB
Threshold Current	I_{th}	-	9	20	mA
Output Power in fiber	P_f	10	20	30	mW
Optical linewidth	Δf	-	2	3	MHz
Temperature Tuning Coefficient	T_{λ}	0.07	0.1	0.14	nm/°C
Current Tuning Coefficient	I_{λ}	0.008	0.014	0.020	nm/mA
Slope Efficiency	SE	0.08	0.12	-	mW/mA
Thermistor Resistance	R_T	9.5	10	10.5	k Ω
Thermistor Temp. Coefficient	C	-	-4.4	-	%/°C

*CW bias unless otherwise stated

©Eblana Photonics Series 1310-ADF-B Rev 2.0



eblanaphotonics

www.eblanaphotonics.com

Sales@eblanaphotonics.com

Dublin, Ireland

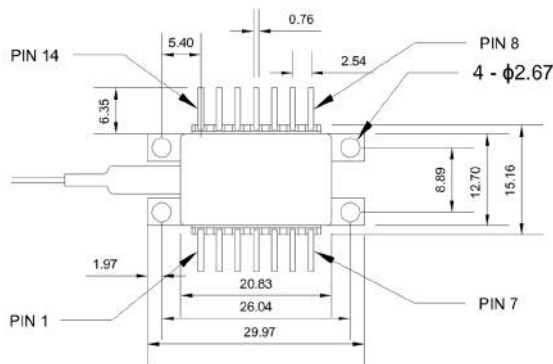
ABSOLUTE MAXIMUM RATINGS

PARAMETER	SYMBOL	MIN	TYP	MAX	UNIT
Forward Current	I_f	-	70	100	mA
Forward Voltage	V_f	-	-	2.8	V
TEC Current	I_{TEC}	-	-	1.5	A
Reverse Voltage LD	V_r	-	-	2.0	V
Reverse Voltage mPD	V_{rev}	-	-	20	V
Case Temperature*	T_{Case}	-20	-	65	°C
Chip Submount Temperature	T_{Sub}	0	-	50	°C
Storage Temperature	$T_{storage}$	-40	-	85	°C

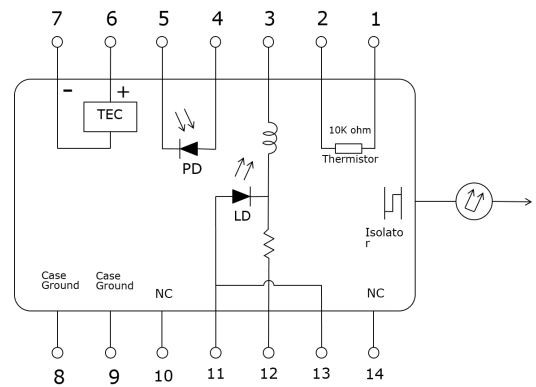
*For $T_{sub} < 25^{\circ}C$, Max Case Temperature should be derated to $T_{Case,Max} = T_{sub} + 40^{\circ}C$

PACKAGING

The EP1310-ADF-B product series is offered in a 14-pin Butterfly package. The standard package pinout is shown below.



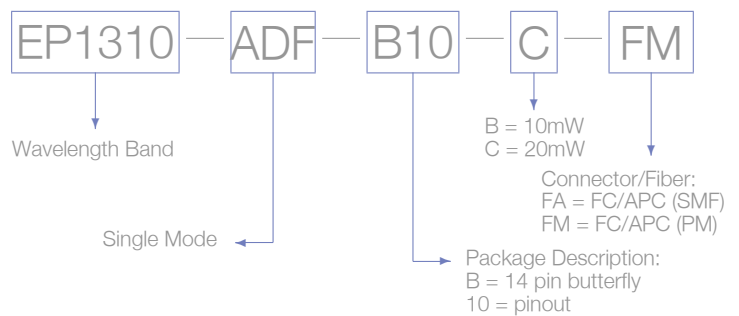
14-pin butterfly schematic



Standard "Pinout 10" option

HOW TO ORDER

Construct your part number using the following example and email your order to sales@eblanaphotonics.com, or call +353 1 675 3228.



Laser Safety

This is a Class 3R Laser Product as defined by International Standard IEC 60825-1, Edition 2. Invisible Laser radiation is emitted from the end of the fiber or connector. Avoid direct eye exposure to the beam. Laser safety labels are not attached to the module due to space limitations but instead are affixed to the outside of the shipping carton.

©Eblana Photonics 2014. Eblana Photonics Reserves the right to amend this document at any time, without prior warning. ©Eblana Photonics Series 1310-ADF-B Rev 2.0



eblanaphotonics

www.eblanaphotonics.com

Sales@eblanaphotonics.com

Dublin, Ireland