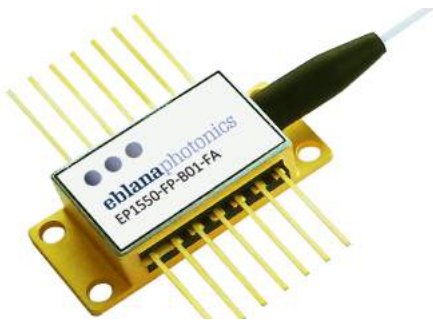


1550nm FP LASER

EP1550-FP-B

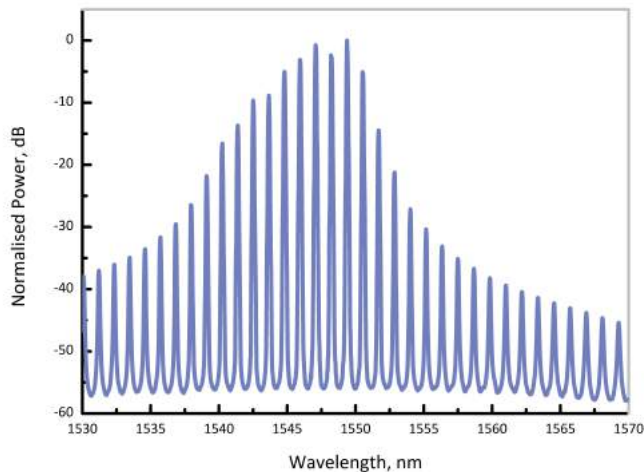


eblanaphotonics

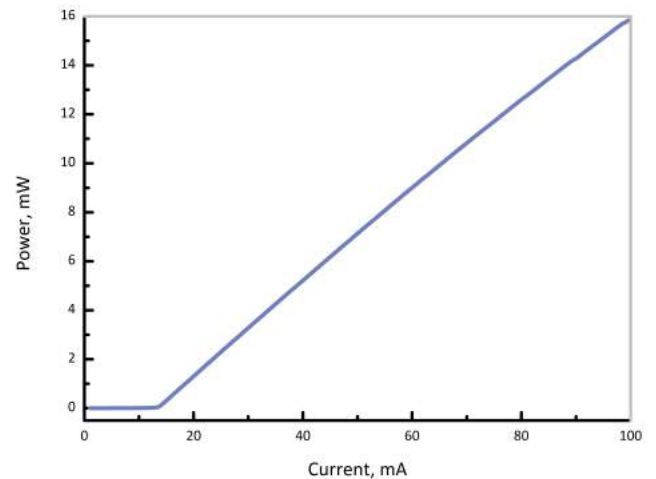


SUPERIOR PERFORMANCE

Eblana Photonics EP1550-FP-B laser diode, available in range from 1530 - 1570nm, is a cost effective, highly coherent laser source. Eblana's advanced epistructure design is used to deliver an InP-based strained quantum-well FP laser with applications in optical communications.



Optical Spectrum at 25°C



Output power as a function of bias current

ELECTRO-OPTICAL CHARACTERISTICS* ($T_{SUB} = 25^{\circ} C$)

PARAMETER	SYMBOL	MIN	TYP	MAX	UNIT
Centre Wavelength Range	λ	1530	1550	1570	nm
Side Mode Supression Ratio	SMSR	-	N/A	-	dB
Threshold Current	I_{th}	-	10	20	mA
Output Power in fiber	P_f	10	13	16	mW
Temperature Tuning Coefficient	T_{λ}	-	0.5	-	nm/°C
Slope Efficiency	SE	0.2	0.3	-	mW/mA
Forward Voltage	V_f	-	1.6	1.8	V
Thermistor Resistance	R_T	9.5	10	10.5	k Ω
Thermistor Temp. Coefficient	C	-	-4.4	-	%/°C

*CW bias unless otherwise stated



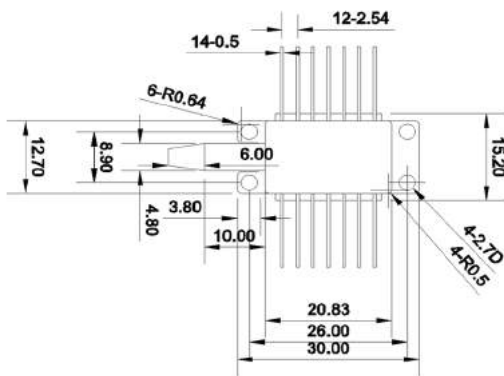
ABSOLUTE MAXIMUM RATINGS

PARAMETER	SYMBOL	MIN	TYP	MAX	UNIT
Forward Current	I_f	-	-	180	mA
TEC Current	I_{TEC}	-	-	1.2	A
Reverse Voltage LD	V_{rev}	-	-	2.0	V
Case Temperature*	T_{Case}	-20	-	65	°C
Chip Submount Temperature	T_{Sub}	0	-	50	°C
Storage Temperature	$T_{storage}$	-40	-	85	°C

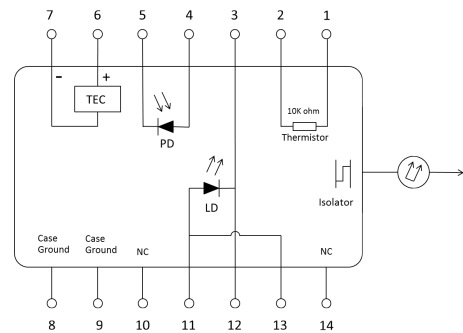
*For $T_{sub} < 25^{\circ}C$, Max Case Temperature should be derated to $T_{Case,Max} = T_{sub} + 40^{\circ}C$

PACKAGING

The EP1550-FP-B product series is offered in a 14-pin Butterfly package - Inquire for alternative packaging options. The standard package pinout is shown below, variations may be requested.



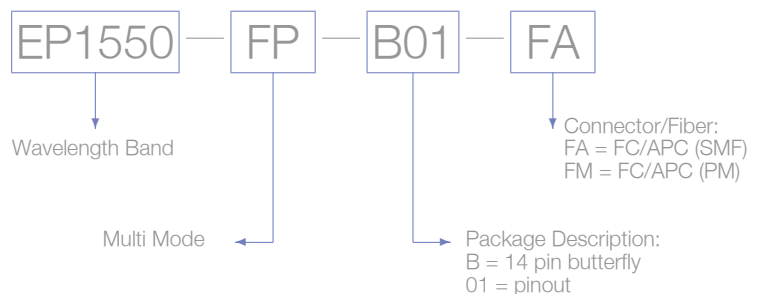
14-pin butterfly schematic



Standard "Pinout 01" option

HOW TO ORDER

Construct your part number using the following example and email your order to sales@eblanaphotonics.com, or call +353 1 675 3228.



Laser Safety

This is a Class 3R Laser Product as defined by International Standard IEC 60825-1, Edition 3. Invisible Laser radiation is emitted from the end of the fiber or connector. Avoid direct eye exposure to the beam. Laser safety labels are not attached to the module due to space limitations but instead are affixed to the outside of the shipping carton.

©Eblana Photonics 2016. Eblana Photonics Reserves the right to amend this document at any time, without prior warning. ©Eblana Photonics Series 1550-FP-B Rev 2.1