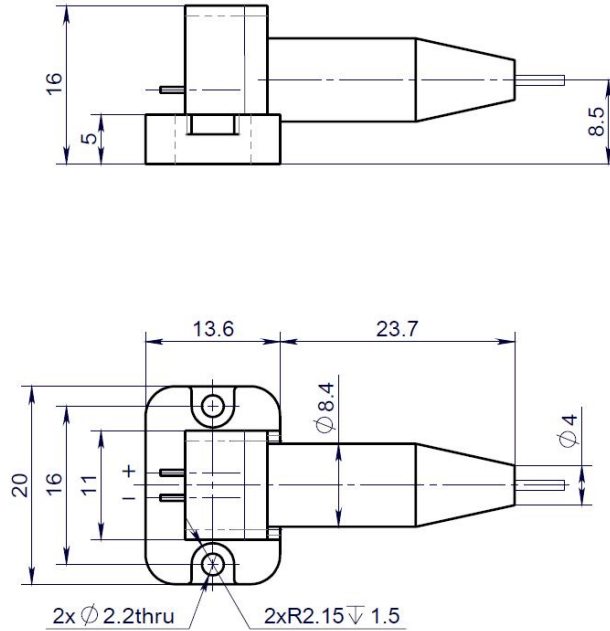


Specifications(25℃)		Symbol	Unit	K450F03FN-2.600W		
				Minimum	Typical	Maximum
Parameter	CW Output Power	P _o	W	2.4	2.6	2.8
	Threshold current	I _{th}	A	0.15	-	0.35
	Operating current	I _{op}	A	-	2.3	-
	Operating voltage	V _{op}	V	3.7	-	5.2
	Slope Efficiency	η	W/A	-	-	1.3
	Electrical-to-Optical Efficiency	PE	%	-	25	-
	Center wavelength	λ _c	nm	440	-	455
	Spectral width(FWHM)	Δλ	nm	-	-	-
	Wavelength Shift with Temperature	-	nm/℃	-	-	-
Fiber Data	Buffer diameter	D _{buf}	μm	-	250	-
	Cladding diameter	D _{clad}	μm	-	125	-
	Core diameter	D _{core}	μm	-	105	-
	Numeric aperture	NA	NA	-	0.22	-
Others	ESD	-	V	-	-	-
	Storage temperature	-	℃	- 20	-	70
	Lead Soldering Temp	T _{is}	℃	-	-	-
	Lead Soldering Time	T _{is}	sec	-	-	-
	Operating case temperature	T _{op}	℃	-	25	-
	Relative Humidity	-	%	-	-	-

Package Dimensions (mm)



*: Optional functions.

OPERATING NOTES

- ◆ Avoid eye exposure to direct or scattered radiation.
- ◆ ESD precautions must be taken.
- ◆ Please connect pins to wires by solder instead of using socket when operation current is higher than 6A.
- ◆ Soldering point should be close to the root of the pins. Soldering temperature should be lower than 260°C and time shorter than 10 second.
- ◆ Use constant current power supply. Avoid surge current.
- ◆ Laser diode must be used according to the specifications.
- ◆ Laser diode must work with good cooling.
- ◆ Operation temperature is 20°C~30°C.
- ◆ Storage: -20°C~+70°C, all pins short-circuit.



Declaration: information and specifications contained herein are deemed to be reliable and accurate. BWT Beijing reserves the right to change, alter or modify the design and specifications of these products at any time without notice.