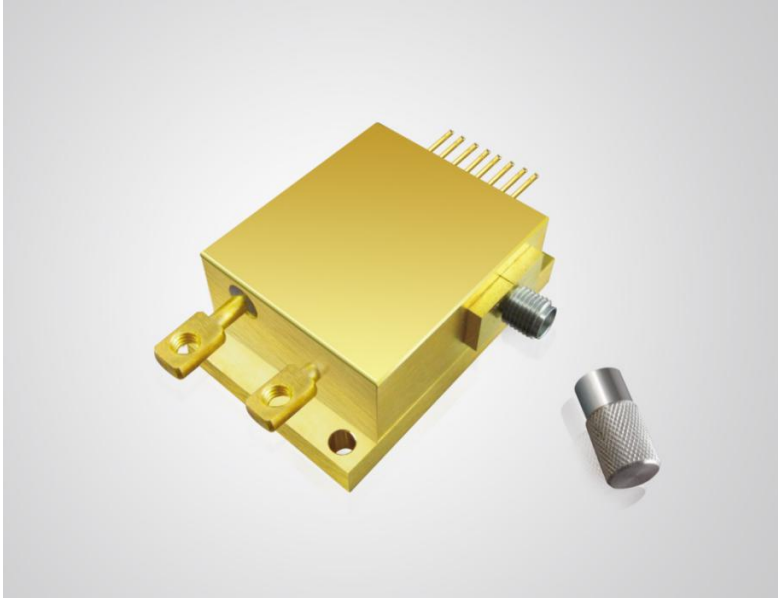


808nm 15W Multi-Function Detachable Diode Laser K808FANCC-15.00W



Features :

- ◆ 15W output power
- ◆ 808nm wavelength
- ◆ Standard fiber coupling for 400 μ m/
0.22NA
- ◆ Customer options:
Red aiming beam
Power PD
Thermistor
Fiber detector

Applications :

- ◆ Medical use
- ◆ Material processing

BWT Beijing's high power diode laser modules are manufactured by adopting specialized fiber-coupling techniques, resulting in volume products with a high efficiency, stability and superior beam quality. The products are achieved by transforming the asymmetric radiation from the laser diode chip into an output fiber with small core diameter by using special micro optics. Inspecting and burn-in procedures in every aspect come to a result to guarantee each product with the reliability, stability and long lifetime.

Our research staffs are constantly improving and innovating the processing technology in the producing process, based on the professional knowledge and experience accumulated in long-terms. We are also continuously developing new products to meet customers' specific needs.

At BWT Beijing, to provide high quality products with reasonable price is always our goal.

808nm 15W Multi-Function Detachable Diode Laser

K808FANCC-15.00W

Specifications(25°C)		Symbol	Unit	K808FANCC-15.00W		
				Minimum	Typical	Maximum
Optical Data ⁽¹⁾	CW Output Power	P_o	W	15	-	-
	Center Wavelength	λ_c	nm	808±10		
	Spectral Width(FWHM)	$\Delta\lambda$	nm	-	6	-
	Wavelength Shift with Temperature	$\Delta\lambda/\Delta T$	nm/°C	-	0.3	-
Electrical Data	Electrical-to-Optical Efficiency	PE	%	-	40	-
	Threshold Current	I_{th}	A	-	1.8	-
	Operating Current	I_{op}	A	-	-	11
	Operating Voltage	V_{op}	V	-	-	4
	Slope Efficiency	η	W/A	-	1.8	-
Fiber Data	Core Diameter	D_{core}	μm	-	400	-
	Numerical Aperture	NA	-	-	0.22	-
	Fiber Connector	-	-	-	SMA905	-
Others	ESD	V_{esd}	V	-	-	500
	Storage Temperature ⁽²⁾	T_{stg}	°C	-20	-	70
	Lead Soldering Temp	T_{ls}	°C	-	-	260
	Lead Soldering Time	t	sec	-	-	10
	Operating case temperature ⁽³⁾	T_{op}	°C	15	-	35
	Relative Humidity	RH	%	15	-	75
PD Data	Current	I_{mo}	μA	200	-	2000
Thermistor	-	R_t	(K Ω)/β(25°C)	-	10±3%/3477	-
Aiming Beam Data	Output Power	P_a	mW	-	2	-
	Wavelength	λ_a	nm	635±10		
	Voltage ⁽⁴⁾	V_a	V	-	5	-

(1) Data measured under operation output at 15W@25°C.

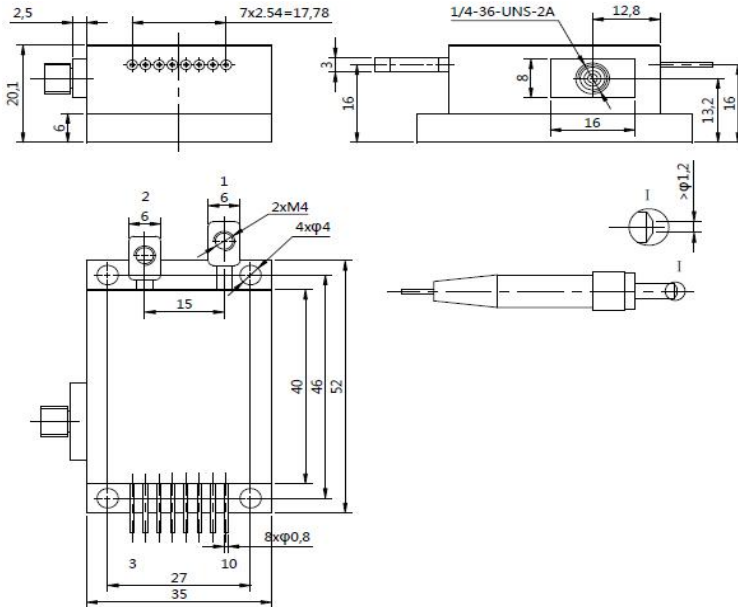
(2) A non-condensing environment is required for operation and storage.

(3) Operating temperature defined by the package case. Acceptable operating range is 15°C~35°C, but performance may vary.

(4) Support 5V DC input.

808nm 15W Multi-Function Detachable Diode Laser K808FANCC-15.00W

Package Dimensions (mm)



Pin	Function
1	LD (-)
2	LD (+) ,Case
3	FCD LED (-) *
4	FCD LED (+) * FCD PD (N) *
5	FCD PD (P) *
6	Aiming Beam (+5V) * PD (N) *
7	Aiming Beam (0V) *
8	PD (P) *
9	Thermistor*
10	Thermistor*

*: Optional functions.

OPERATING NOTES

- ◆ Avoid eye and skin exposure to direct radiation during operation.
- ◆ ESD precautions must be taken during storage, transportation and operation.
- ◆ Short-circuit is required between pins during storage and transportation
- ◆ Please connect pins to wires by solder instead of using socket when operation current is higher than 6A. Soldering point should be close to the root of the pins. Soldering temperature should be lower than 260°C and time shorter than 10 seconds.
- ◆ Use constant current power supply to avoid surge current during operation.
- ◆ Laser diode must be used according to the specifications.
- ◆ Laser diode must work with good cooling.
- ◆ Operation temperature ranges from 15°C to 35°C.
- ◆ Storage temperature ranges from -20°C to +70°C.



Declaration: information and specifications contained herein are deemed to be reliable and accurate. BWT Beijing reserves the right to change, alter or modify the design and specifications of these products at any time without notice.19-1