

**Multi-Wavelength Detachable Diode Laser****KA060D100F003G050ML****Features:**

- ◆ Multiple wavelength
- ◆ Multiple function
- ◆ 200 $\mu$ m fiber detachable

**Applications:**

- ◆ Medical Use

BWT Beijing's High Power Diode Laser Modules are manufactured by adopting specialized fiber-coupling techniques, resulting in volume products with a high efficiency, stability and superior beam quality. The products are achieved by transforming the asymmetric radiation from the laser diode chip into an output fiber with small core diameter by using special micro optics. Inspecting and burn-in procedures in every aspect come to a result to guarantee each product with the reliability, stability and long lifetime.

Our research staffs are constantly improving and innovating the processing technology in the producing process, based on the professional knowledge and experience accumulated in long-terms. We are also continuously developing new products to meet customers' specific needs.

At BWT Beijing, to provide high quality products with reasonable price is our always goal.

## Multi-Wavelength Detachable Diode Laser

### KA060D100F003G050ML

Specifications(25°C)		Symbol	Unit	KA060D100F003G050ML		
				Minimum	Typical	Maximum
808 <sup>(1)</sup>	CW Output Power	$P_o$	W	6	-	-
	Center Wavelength	$\lambda_c$	nm	808±10		
	Operating Current	$I_{op}$	A	-	-	9
	Threshold Current	$I_{th}$	A	-	0.8	-
	Operating Voltage	$V_{op}$	V	-	-	2
980 <sup>(1)</sup>	CW Output Power	$P_o$	W	10	-	-
	Center Wavelength	$\lambda_c$	nm	980±10		
	Operating Current	$I_{op}$	A	-	-	13.5
	Threshold Current	$I_{th}$	A	-	1	-
	Operating Voltage	$V_{op}$	V	-	-	2
635 <sup>(1)</sup>	CW Output Power	$P_o$	W	0.3	-	-
	Center Wavelength	$\lambda_c$	nm	635±10		
	Operating Current	$I_{op}$	A	-	-	0.8
	Threshold Current	$I_{th}$	A	-	0.2	-
	Operating Voltage	$V_{op}$	V	-	-	2.6
450 <sup>(1)</sup>	CW Output Power	$P_o$	W	5	-	-
	Center Wavelength	$\lambda_c$	nm	450±10		
	Operating Current	$I_{op}$	A	-	-	3
	Threshold Current	$I_{th}$	A	-	-	0.35
	Operating Voltage	$V_{op}$	V	-	10	-
Fiber Data	Core Diameter	$D_{core}$	μm	-	200	-
	Numerical Aperture	NA	-	-	0.22	-
	Fiber Connector	-	-	-	SMA905	-
Thermistor	-	$R_t$	(K Ω)/β(25°C)	-	10±3%/3477	-
PD	-	PD	μA	10	-	-
Other	ESD	$V_{esd}$	V	-	-	500
	Storage Temperature <sup>(2)</sup>	$T_{st}$	°C	-20	-	70
	Operating Case Temperature <sup>(3)</sup>	$T_{op}$	°C	15	-	35
	Relative Humidity	RH	%	15	-	75

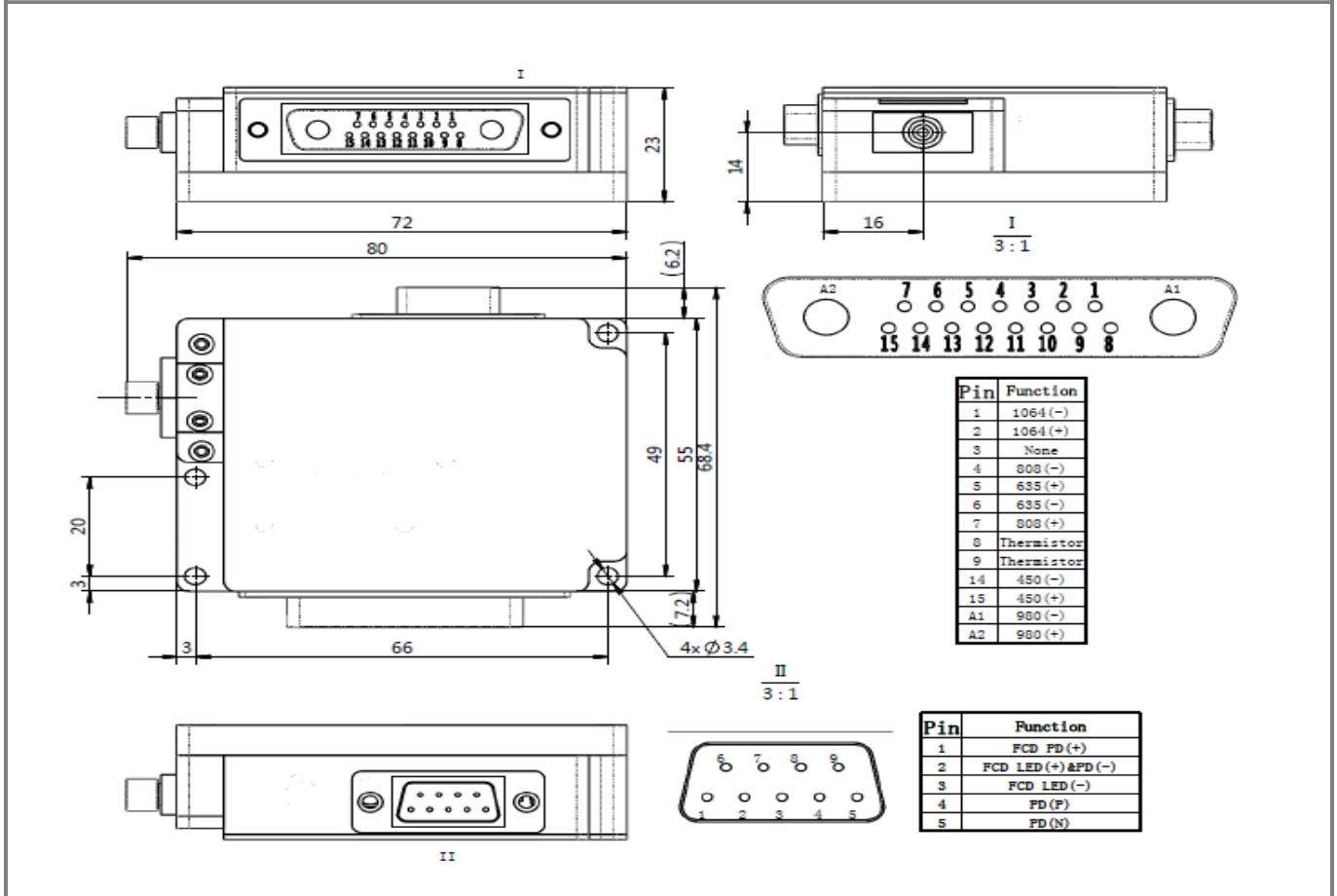
(1) Data measured under operation temperature at 25°C

(2) A non-condensing environment is required for operation and storage.

(3) Operating temperature defined by the package case, Acceptable operating range is 15°C~35°C, but performance may vary.

**Multi-Wavelength Detachable Diode Laser**  
**KA060D100F003G050ML**

**Package Dimensions (mm)**



**OPERATING NOTES**

- ◆ Avoid eye and skin exposure to direct radiation during operation.
- ◆ ESD precautions must be taken during storage, transportation and operation.
- ◆ Make sure the fiber output end and input end is properly cleaned before operation of laser. Follow safety protocols to avoid injury when handling and cutting the fiber.
- ◆ Use constant current power supply to avoid surge current during operation.
- ◆ Laser diode must be used according to the specifications.
- ◆ Laser diode must work with good cooling.
- ◆ Operation temperature ranges from 15°C to 35°C .
- ◆ Storage temperature ranges from -20°C to +70°C .



**Declaration:** information and specifications contained herein are deemed to be reliable and accurate. BWT Beijing reserves the right to change, alter or modify the design and specifications of these products at any time without notice.19-1