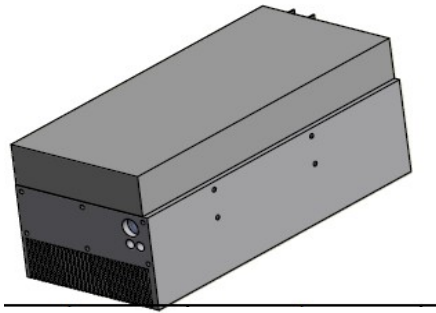




Sol 20W @532 nm - PRELIMINARY

Spec# SL17601

Q-Switched DPSS Compact Laser Platform



FEATURES

- _All Solid State Industrial Design
- _Electronic Pulse Energy Modulation
- _Sealed Compact and Rugged
- _Low Heat Waste
- _Air Cooled
- _24 V DC Power Supply Input

Technical Specifications	Sol 20W - 532nm	
Max Output Power	20	W
Q-Switch Repetition Rate	10 to 100	kHz
Wavelength	532	nm
Pulse width range	10 to 50	ns
Polarization	Linear 100:1 (Option circular polarization)	
M ²	< 2	
Beam diameter @ 1/e ² (integrated BEX)	< 8	mm
Electrical Requirements	DC 24 V – 14 A	
Cooling	Air Cooled with integrated fan	
Mechanical Dimensions	235 x 105 x 95	mm ³
Weight	< 4.5	kg

Options Available:	Applications:
<ul style="list-style-type: none"> - Beam Expanding and Collimating optics - Red Aiming beam - Low frequency extended range: single shot to 100 kHz - High-frequency extended range up to 200 kHz - Circular Polarization (standard for material processing) - Water Cooling or Contact Cooling 	<ul style="list-style-type: none"> - Material Processing - Marking and Scribing - Micro-Machining - Nonlinear Optics



All information included in this document is subject to change without notice.
Update data sheets can be provided on request.

For further details, please contact your local **Bright Solutions** sales representative or visit our website at www.brightsolutions.it

Bright Solutions S.r.l
Via Artigiani, 27010
Cura Carpignano (PV) Italy
Ph. +39 0382583094
e-mail: sales@brightsolutions.it
www.brightsolutions.it