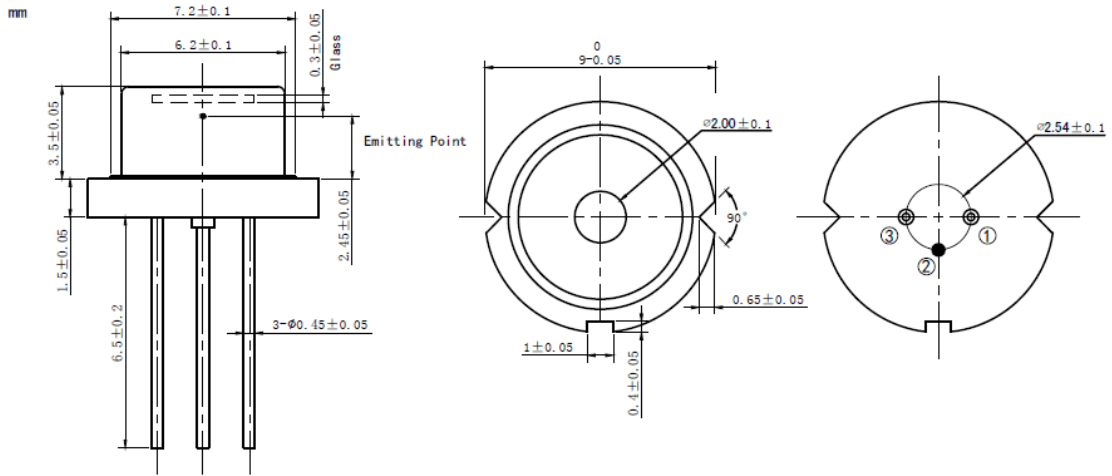


**1064nm 200mw High Power Single Mode Laser Diode with PD | TO5 Package**
**1060nm~1064nm | SM LD| 200mW Output Power | 9mm Package| Built-in Photodiodes**
**WSLD-1064-200m-2-PD**
**Wavespectrum Laser Group**
**www.wavespectrum-laser.com**

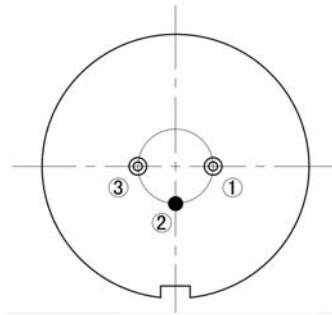
1064nm Laser Diode		200mW/TO5		Wavespectrum Laser Group	
Reverse Voltage	$V_r$	2.0		V	
Operating Temperature	$T_{op}$	-10~+50		°C	
Storage Temperature	$T_{stg}$	-40~+85		°C	
Lead soldering temperature (10 sec.)	$T_{is}$	260		°C	
<b>Features:</b> <ul style="list-style-type: none"> <li>● 1064nm</li> <li>● Built-in PD</li> <li>● Single Mode LD</li> <li>● TO5 Package</li> </ul>					
<b>Applications:</b> <ul style="list-style-type: none"> <li>● Medical Laser Treatment</li> <li>● Laser Indicator</li> <li>● Others</li> </ul>					
<b>Specifications</b>		<b>WSLD-1064-200m-2-PD</b>			
		Min	Type	Max	
Center Wavelength@25°C		+/-5nm	1064nm	+/-15nm	
Spectral Width (FWHM)		----	2nm	----	
Output Power		----	200mW	----	
Emitter Size		----	4um*1um	----	
Beam Divergence (FWHM)		----	42°± x 15°//	50°± x 25°//	
Recommend Operating Temperature		25°C			
Slope Efficiency		----	0.8mW/mA	----	
Threshold Current (Typ.)		----	40mA	70mA	
Operating Current (Typ.)		----	320mA	350mA	
Operating Voltage		----	2.0V	2.5V	
Monitor Current		----	0.1mA	----	
Package Style		TO5			

**Wavespectrum Laser Group**
**www.wavespectrum-laser.com.cn**
**sales@wavespectrum-laser.com.cn**


### TO5(9mm) Package View



### PIN Bottom View:



1	LD(-)
2	LD(+)&PD(-)
3	PD(+)

Electrically shorten LD module and store in non-extreme conditions.

Suggest using the constant current power supply.

