


1310nm 30mW DFB Laser Diodes | TO18 5.6mm LD | Flat Window Optional
1310nm 30mW Single Mode LD | With Non-spherical Lens | Built-in Photodiode

WSLD-1310-030m-1-PD

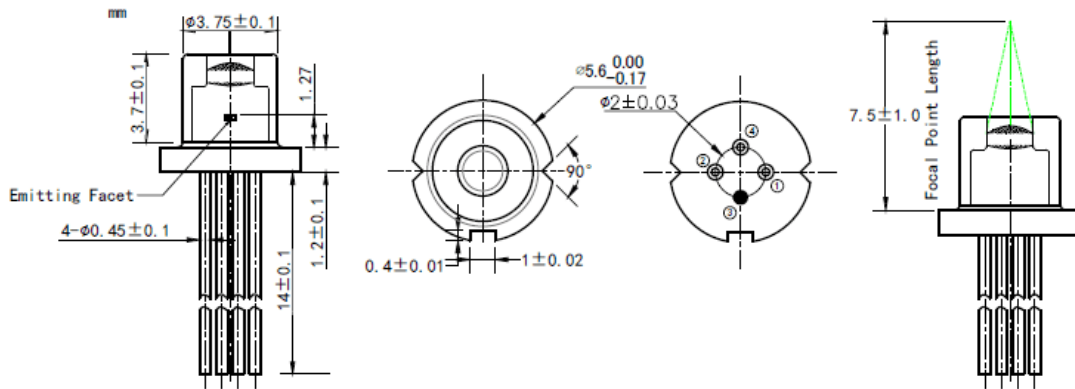
Wavespectrum Laser Group

www.wavespectrum-laser.com

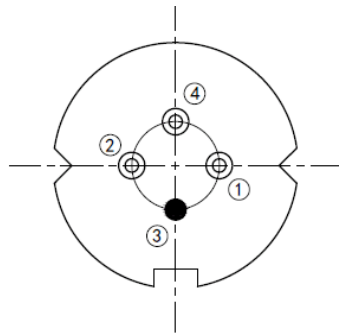
1310nm Laser Diode	30mW	Single mode/DFB	en.wavespectrum-laser.com.cn
Reverse Voltage	V_r	2.0	V
Operating Temperature	T_{op}	-20 ~ +50	°C
Storage Temperature	T_{stg}	-40 ~ +85	°C
Lead soldering temperature (10 sec.)	T_{is}	260	°C
Features: <ul style="list-style-type: none"> 1310nm Single Mode Beam DFB LD With Non-spherical Lens Built-in PD 			
Applications: <ul style="list-style-type: none"> Optical Fiber Communication Free-space Optical Communication 			
Specifications	WSLD-1310-030m-1-PD		
Center Wavelength@25°C	1310+/-10nm		
Spectral Width (FWHM)	<3nm		
Output Power	30mW		
Recommend Operating Temperature	25°C		
Laser Type	DFB		
Threshold Current (Typ.)	10mA		
Operating Current (Typ.)	90mA		
Operating Voltage	1.4V		
Monitor Current	0.5mA		
Package Style	TO18		
Window Type	Flat Window (Optional)		
	Non-Spherical-Lens Window (standard)		



Package View:



PIN Bottom View (A-Type) :



PIN 1	PD (+)
PIN 2	LD (-)
PIN 3	LD (+), CASE
PIN 4	PD (-)

Electrically shorten LD module and store in non-extreme conditions.
Suggest using the constant current power supply.

