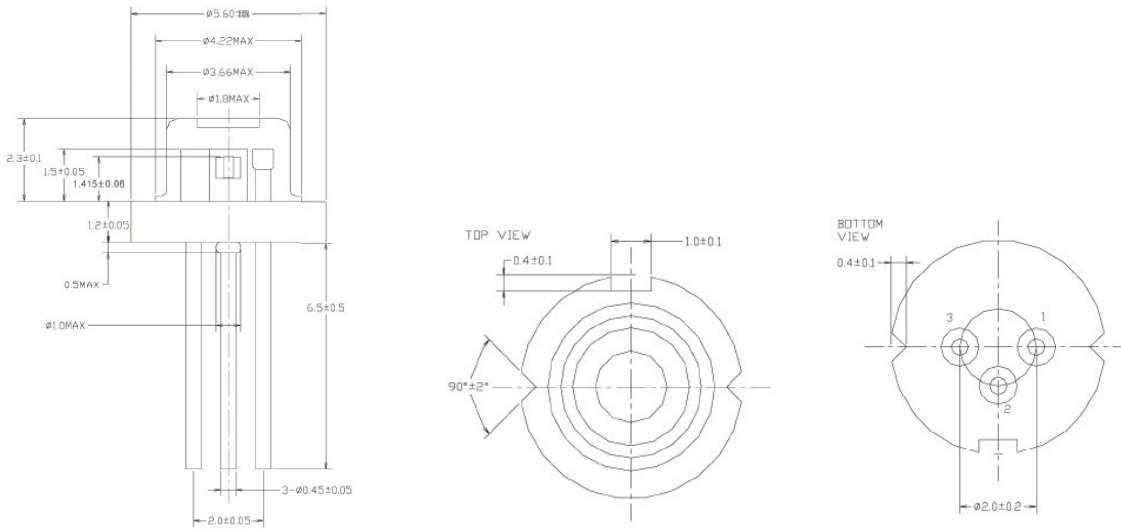
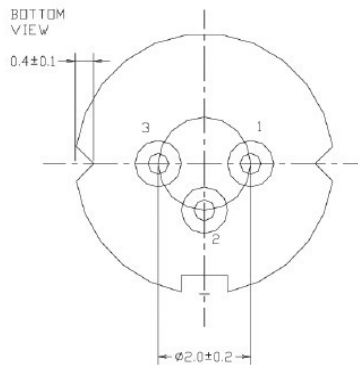


| 405nm Laser Diode  |           | 20mw  |                               | Wavespectrum Laser, Inc      |  |
|--|-----------|---|-------------------------------|------------------------------|--|
| PARAMETER  | SYMBOL    | VALUE   |                               | UNIT                         |  |
| Reverse Voltage  | $V_r$     | 2.0   |                               | V                            |  |
| Operating Temperature  | $T_{op}$  | 0 ~ +75   |                               | °C                           |  |
| Storage Temperature  | $T_{stg}$ | -40 ~ +85   |                               | °C                           |  |
| Lead soldering temperature (10 sec.)   | $T_{is}$  | 260   |                               | °C                           |  |
| <b>Features:</b> <ul style="list-style-type: none"> <li>● 405nm</li> <li>● CW</li> <li>● TO18 package</li> </ul> |           |  |                               |                              |  |
| <b>Applications:</b> <ul style="list-style-type: none"> <li>● Medical Cure</li> <li>● Printing</li> </ul>        |           |   |                               |                              |  |
| <b>Specifications</b>  |           | <b>WSLD-405-020m-1</b>  |                               |                              |  |
|  |           | Min   | Type                          | Max                          |  |
| Center Wavelength@25°C   |           | 395nm   | 405nm                         | 415nm                        |  |
| Spectral Width (FWHM)  |           | 2.0nm   |                               |                              |  |
| Output Power   |           | ----  | 10mW                          | 20mW                         |  |
| Emitter  |           | Single  |                               |                              |  |
| Beam Divergence (FWHM)   |           | $16^\circ \pm x 6^\circ //$   | $19^\circ \pm x 8.5^\circ //$ | $23^\circ \pm x 12^\circ //$ |  |
| Monitor Current  |           | ----  | ----                          | ----                         |  |
| PD Reverse Voltage   |           | ----  |                               |                              |  |
| PD Forward Current   |           | ----  |                               |                              |  |
| Slope Efficiency   |           | 0.7mW/mA  | 1.1mW/mA                      | ----                         |  |
| Threshold Current (Typ.)   |           | ----  | 26mA                          | 50mA                         |  |
| Operating Current (Typ.)   |           | ----  | 35mA                          | 60mA                         |  |
| Operating Voltage  |           | 4.8V  |                               | 5.6V                         |  |
| Package Style  |           | TO18(5.6mm)   |                               |                              |  |



**TO18(5.6mm) Package View**

**PIN Bottom View:**


|          |              |
|----------|--------------|
| <b>1</b> | <b>LD(-)</b> |
| <b>2</b> | <b>GND</b>   |
| <b>3</b> | <b>LD(+)</b> |

Electrically shorten LD module and store in non-extreme conditions.  
 Suggest using the constant current power supply.

