

**405nm 150mw SM Laser Diode| Single mode LD**

**405nm SM LD| 150mw Power|3.8mm Package**

**WSLD-405-150m-1**

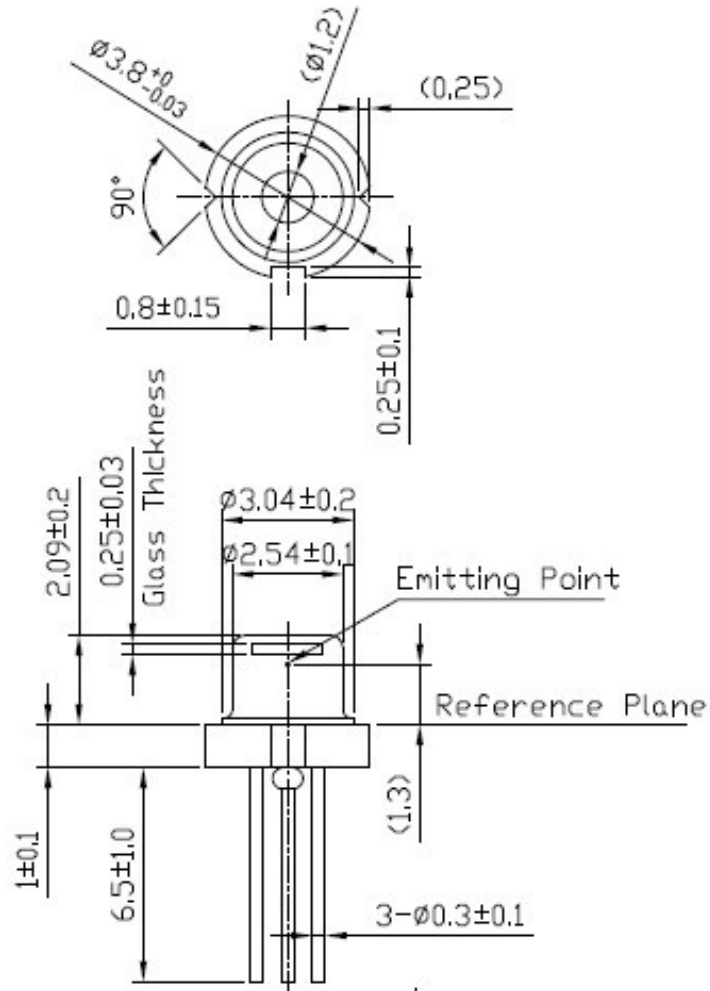
**Wavespectrum Laser, Inc.**

**www.wavespectrum-laser.com**

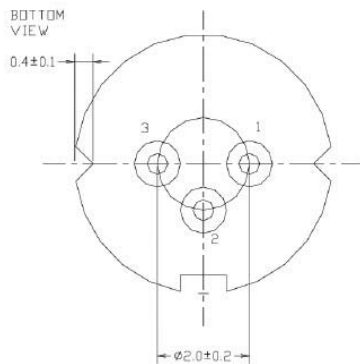
| 405nm Laser Diode   |                  | 150mw   |             | Wavespectrum Laser, Inc |  |
|---|------------------|---|-------------|-------------------------|--|
| PARAMETER   | SYMBOL           | VALUE   | UNIT        |                         |  |
| Reverse Voltage   | V <sub>r</sub>   | 2.0   | V           |                         |  |
| Operating Temperature   | T <sub>op</sub>  | 0 ~ +70   | °C          |                         |  |
| Storage Temperature   | T <sub>stg</sub> | -40 ~ +85   | °C          |                         |  |
| Lead soldering temperature (10 sec.)  | T <sub>is</sub>  | 260   | °C          |                         |  |
| <b>Features:</b> <ul style="list-style-type: none"> <li>405nm</li> <li>CW/Pulse</li> <li>Single Mode Beam</li> <li>3.8mm Package</li> </ul> |                  |  |             |                         |  |
| <b>Applications:</b> <ul style="list-style-type: none"> <li>Medical laser treatment</li> <li>Printing</li> <li>Others</li> </ul>            |                  |   |             |                         |  |
| <b>Specifications</b>   |                  | <b>WSLD-405-150m-1</b>  |             |                         |  |
|   |                  | Min   | Type        | Max                     |  |
| Center Wavelength@25°C  |                  | 400nm   | 405nm       | 410nm                   |  |
| Spectral Width (FWHM)   |                  | 2.0nm   |             |                         |  |
| Output Power (CW)   |                  | ----  | 150mW       | ----                    |  |
| Beam Type   |                  | Single Mode Beam  |             |                         |  |
| Beam Divergence (FWHM)  |                  | 15°± x 7°//   | 20°± x 9°// | 24°± x 12°//            |  |
| Recommended Operating Temperature   |                  | 25 °C   |             |                         |  |
| Slope Efficiency  |                  | ----  | 1.6mW/mA    | 1.9mW/mA                |  |
| Threshold Current (Typ.)  |                  | ----  | 40mA        | 50mA                    |  |
| Operating Current (Typ.)  |                  | ----  | 130mA       | 170mA                   |  |
| Operating Voltage   |                  | 4.5V  | 5.0V        | 5.5V                    |  |
| Package Style   |                  | 3.8mm   |             |                         |  |
| Output Power (Pulse Mode)   |                  | 300mW   |             |                         |  |
|   |                  | Pulse Mode Condition : Width 30ns Duty 50%  |             |                         |  |



Drawing



PIN Bottom View:



|   |       |
|---|-------|
| 1 | LD(+) |
| 2 | GND   |
| 3 | LD(-) |



Electrically shorten LD module and store in non-extreme conditions.  
Suggest using the constant current power supply.

