
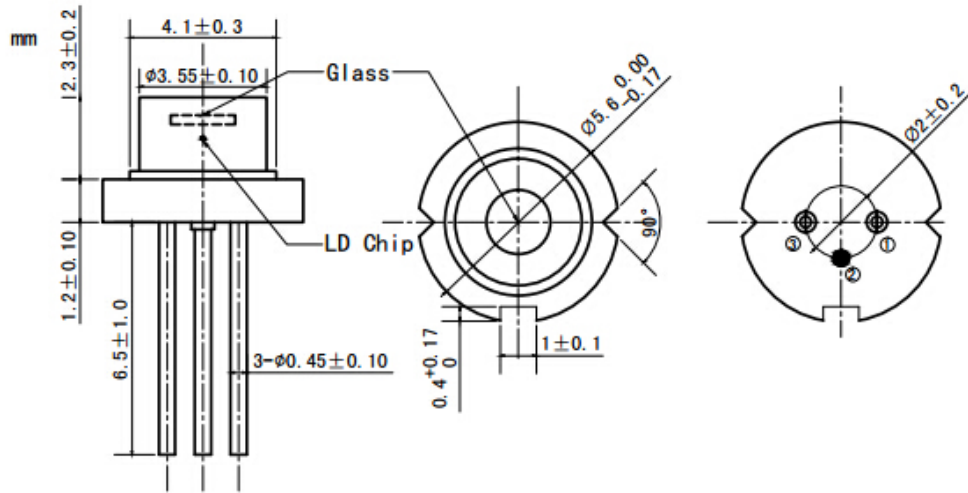


405nm 300mW Single Mode Laser Diode | SM LD |Violet LD |5.6mm Package
405nm LD |300mW Power|TO18 Package
WSLD-405-300m-1
Wavespectrum Laser Group
www.wavespectrum-laser.com

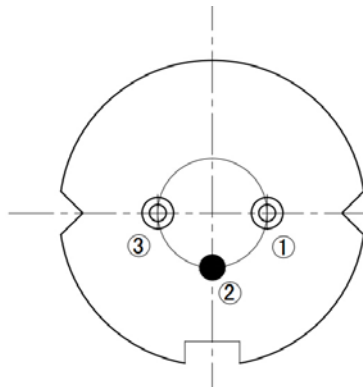
405nm Laser Diode		300mW/TO18		Wavespectrum Laser Group	
PARAMETER	SYMBOL	VALUE		UNIT	
Reverse Voltage	V_r	5.0		V	
Operating Temperature	T_{op}	0 ~ +70		°C	
Storage Temperature	T_{stg}	-40 ~ +85		°C	
Lead soldering temperature (10 sec.)	T_{is}	260		°C	
Features: <ul style="list-style-type: none"> ● 405nm ● 300mW Output Power ● Single Mode Beam ● TO18 Package 					
Applications: <ul style="list-style-type: none"> ● Medical Laser Treatment ● Printing ● Others 					
Specifications		WSLD-405-300m-1			
		Min	Type	Max	
Center Wavelength@25°C		±5nm	405nm	±10nm	
Spectral Width (FWHM)		2.0nm			
Output Power		----	300mW	----	
Recommended Operating Temperature		25°C			
Beam Divergence (FWHM)		----	24°± x 10°//	----	
Slope Efficiency		----	1.7mW/mA	----	
Threshold Current (Typ.)		----	30mA	55mA	
Operating Current (Typ.)		----	220mA	240mA	
Operating Voltage		----	5.5V	6.5V	
Package Style		TO18(5.6mm)			



TO18 Package View



PIN Bottom View:



1	LD(+)
2	GND
3	LD(-)

Electrically shorten LD module and store in non-extreme conditions.
 Suggest using the constant current power supply.

