
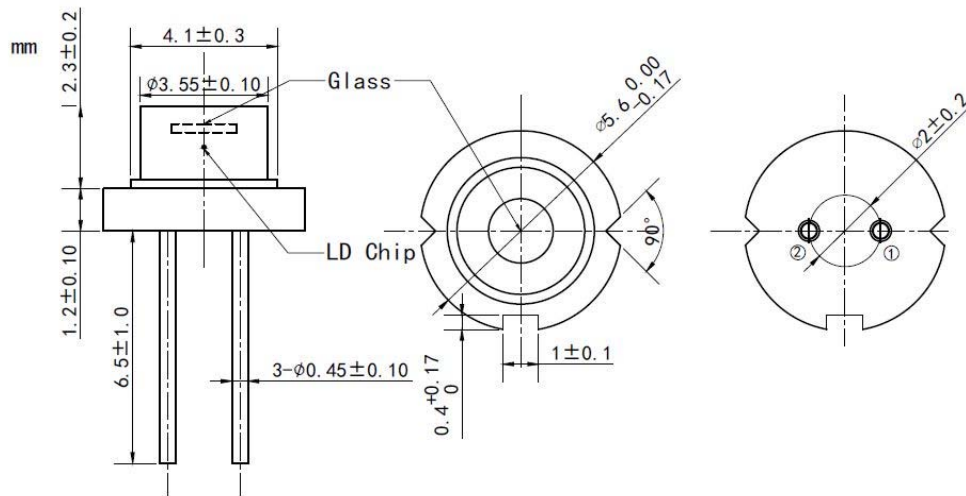


405nm 400mW Multi-mode Laser Diode| High Power Violet LD
405nm LD| 400mW Output Power|5.6 mm Package | Violet LD | Multimode Laser Diode
WSLD-405-400m-1
Wavespectrum Laser Group
www.wavespectrum-laser.com

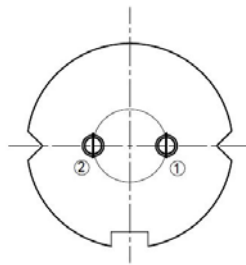
405nm Laser Diode		400mW/TO18		Wavespectrum Laser Group	
PARAMETER	SYMBOL	VALUE		UNIT	
Reverse Voltage	V_r	2.0		V	
Operating Temperature	T_{op}	0 ~ +50		°C	
Storage Temperature	T_{stg}	-40 ~ +85		°C	
Lead soldering temperature (10 sec.)	T_{is}	260		°C	
Features: <ul style="list-style-type: none"> 405nm High Output Power 5.6mm Package Multimode Laser Diode 					
Applications: <ul style="list-style-type: none"> Medical Laser Treatment Printing Others 					
Specifications		WSLD-405-400m-1			
		Min	Type	Max	
Center Wavelength@25°C		±5nm	405nm	±15nm	
Spectral Width (FWHM)		2.0nm			
Output Power (CW)		----	400mW	----	
Beam Divergence (FWHM)		----	40° _⊥ x 15° _{//}	45° _⊥ x 21° _{//}	
Threshold Current (Typ.)		----	150mA	200mA	
Operating Current (Typ.)		----	390mA	420mA	
Operating Voltage		----	4.9V	5.5V	
Slope Efficiency		----	1.8mW/mA	----	
Recommended Operating Temperature		25 °C			
Package Style		5.6mm			



TO18 (5.6mm) Package View



PIN Bottom View



1	LD(+)
2	LD(-)

Electrically shorten LD module and store in non-extreme conditions.
Suggest using the constant current power supply.

