

445nm~450nm 1.5W Laser Diode| High Power LD | Blue Laser Diode

450nm LD| 1.5W Power|5.6mm TO18 Package

WSLD-445-1500m-1

Wavespectrum Laser Group

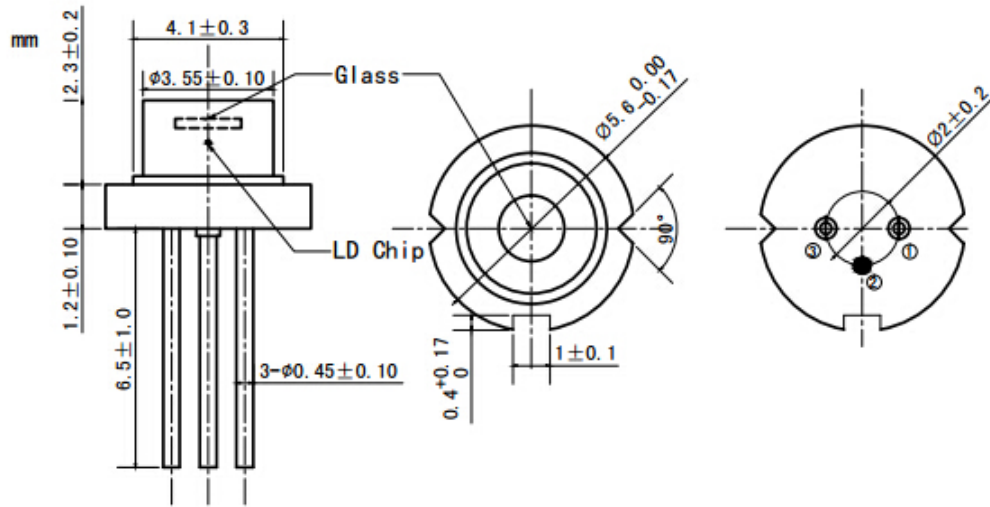
www.wavespectrum-laser.com

en.wavespectrum-laser.com.cn

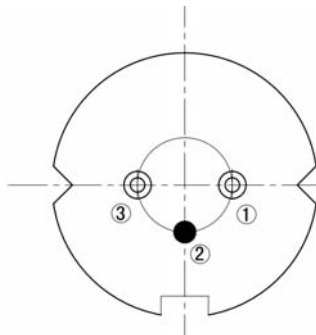
445nm Laser Diode		1.5W/TO18	
PARAMETER	SYMBOL	VALUE	UNIT
Reverse Voltage	$V_r$	5.0	V
Operating Temperature	$T_{op}$	0~+70	°C
Storage Temperature	$T_{stg}$	-40~+85	°C
Lead soldering temperature (10 sec.)	$T_{is}$	260	°C
<b>Features:</b> <ul style="list-style-type: none"> <li>● 445nm</li> <li>● 1.5W Output Power</li> <li>● Long Lifetime</li> <li>● 5.6mm package</li> </ul>			
<b>Applications:</b> <ul style="list-style-type: none"> <li>● Medical Laser Treatment</li> <li>● Laser indicator</li> <li>● Others</li> </ul>			
<b>Specifications</b>	<b>WSLD-445-1500m-1</b>		
	Min	Type	Max
Center Wavelength@25°C	440nm	450nm	460nm
Spectral Width (FWHM)	3.0nm		
Output Power	----	1.5W	----
Recommended Operating Temperature	25°C		
Beam Divergence	-----	----	$25^\circ \pm x 15^\circ //$
Monitor Current	----		
Slope Efficiency	----	1.0mW/mA	1.2mW/mA
Threshold Current (Typ.)	----	0.3A	0.6A
Operating Current (Typ.)	----	1.4A	1.6A
Operating Voltage	----	5.5V	6.5V
Package Style	TO18		



Package View



PIN Bottom View:



1	LD(+)
2	Case
3	LD(-)

Electrically shorten LD module and store in non-extreme conditions.  
Suggest using the constant current power supply.

