


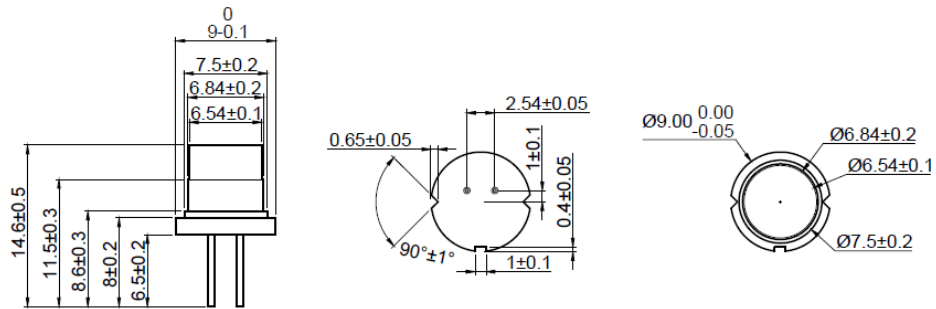
445nm 4.5W Collimated Laser Diode High Power LD| High Power Output Power| Collimation Beam
440nm~450nm 4.5WLD | Small Compact Package| Blue Diode Laser
WSLD-445-4500m-K
Wavespectrum Laser Group
www.wavespectrum-laser.com

445nm Collimated Laser Diode		4.5W/TO5		Wavespectrum Laser Group	
PARAMETER	SYMBOL	VALUE	UNIT		
Reverse Voltage	V_r	2.0	V		
Operating Temperature	T_{op}	0 ~ +60	°C		
Storage Temperature	T_{stg}	-40 ~ +85	°C		
Lead soldering temperature (10 sec.)	T_{is}	260	°C		
Features: <ul style="list-style-type: none"> • 445nm • Collimated Laser Beam • Small Compact Package • Excellent Beam Quality • Built-in PD Optional • Built-in TEC Cooling Optional 					
Specifications		WSLD-445-4500m-K			
		Min	Type	Max	
Center Wavelength@25°C		440nm	450nm	465nm	
Output Power (CW Mode)		----	4.5W	----	
Spatial Mode		Multi-mode			
Lens Type		Aspheric Lens (with AR Coating)			
Beam Shape		Elliptical			
Beam Diameter @ Aperture		----	3mm _⊥ x 1.5mm _{//}	----	
Beam Divergence (Full Angle)		----	18mrad	----	
Recommend Operating Temperature		25 °C			
Monitor Current		----	----	----	
Threshold Current (Typ.)		----	0.3A	0.5A	
Operating Current (Typ.)		----	3.0A	3.2A	
Operating Voltage			4.5V	5.5V	
Package		TO5(9mm)			

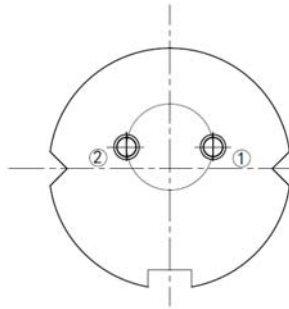


Package Drawing:

mm



PIN Bottom View:



1	LD(+)
2	LD(-)

Electrically shorten LD module and store in non-extreme conditions.
 Suggest using the constant current power supply.



Wavespectrum Laser Group
www.wavespectrum-laser.com
sales@wavespectrum-laser.com

