


515nm~520nm~530nm 140mW~150mW Laser Diode| Single mode Green LD

520nm SM TO18 LD| 140mW Power| 5.6mm Package Green Diode Laser

WSLD-520-140m-1

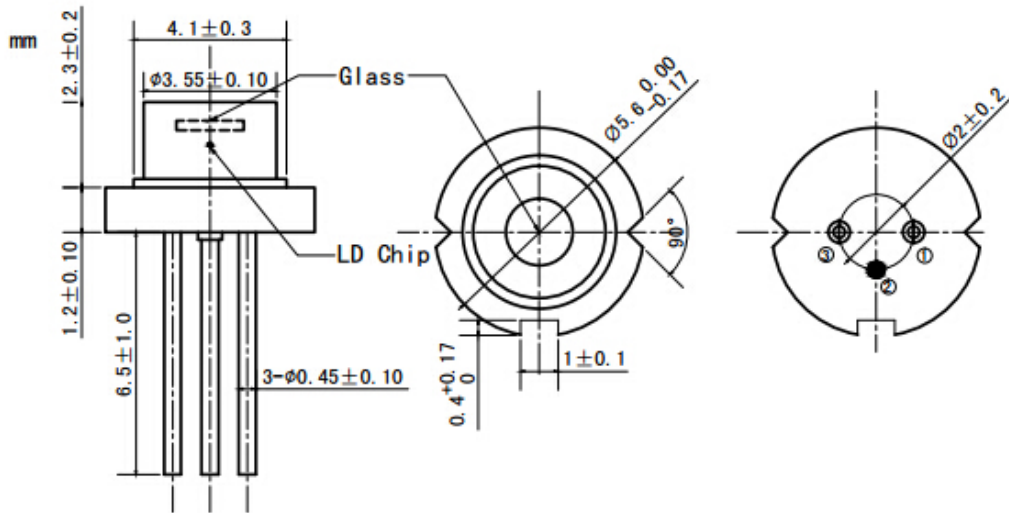
Wavespectrum Laser Group.

www.wavespectrum-laser.com

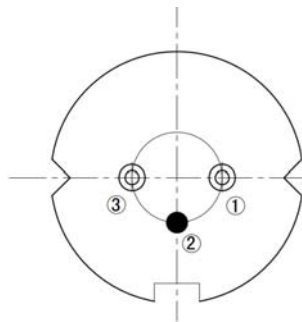
520nm Laser Diode		140mW/5.6mm		Wavespectrum Laser Group	
PARAMETER	SYMBOL	VALUE		UNIT	
Reverse Voltage	V_r	2.0		V	
Operating Temperature	T_{op}	-20~+60		°C	
Storage Temperature	T_{stg}	-40~+85		°C	
Lead soldering temperature (10 sec.)	T_{is}	260		°C	
Features: <ul style="list-style-type: none"> ● 520nm ● 140mW ● Single Mode Beam ● TO18 Package 					
Applications: <ul style="list-style-type: none"> ● Medical Laser Treatment ● Laser Indicator ● Laser Detector 					
Specifications		WSLD-520-140m-1			
		Min	Type	Max	
Center Wavelength@25°C		510nm	520nm	535nm	
Spectral Width (FWHM)		2.0nm			
Output Power		----	140mW	----	
Recommended Operating Temperature		25°C			
Beam Divergence (FWHM)		----	$10^{\circ} \pm x 23^{\circ} //$	----	
Threshold Current (Typ.)		----	70mA	100mA	
Operating Current (Typ.)		----	300mA	330mA	
Operating Voltage		----	7.0V	8.0V	
Package Style		TO18			



Package View:



PIN Bottom View:



1	LD(+)
2	GND
3	LD(-)

Electrically shorten LD module and store in non-extreme conditions.

Suggest using the constant current power supply.

