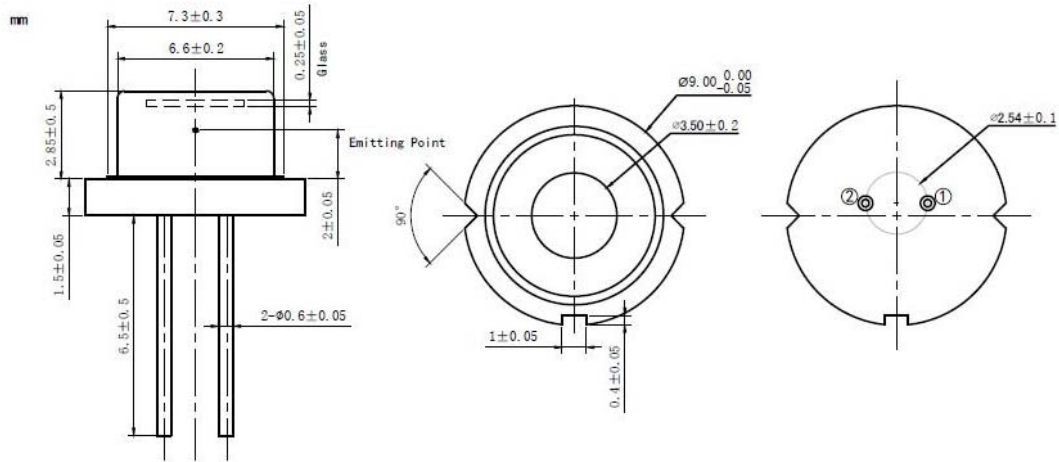
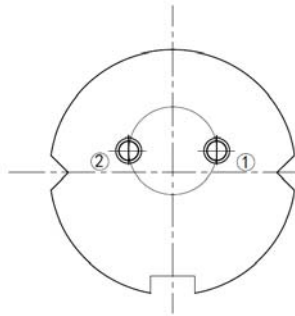


635nm~638nm 2W Laser Diode 9mm TO5 Package | High power Red Laser Diode | Square Beam Optional
 635nm TO5 Package | 2W | Red LD | Without PD | With FAC Lens Optional
 WSLD-635-002-2 Wavespectrum Laser Group. www.wavespectrum-laser.com

635nm Laser Diode		2W/TO5		Wavespectrum Laser Group.	
PARAMETER	SYMBOL	VALUE	UNIT		
Reverse Voltage	V_r	2.0	V		
Operating Temperature	T_{op}	0 ~ +50	°C		
Storage Temperature	T_{stg}	-40 ~ +85	°C		
Lead soldering temperature (10 sec.)	T_{is}	260	°C		
Features: <ul style="list-style-type: none"> 638nm 2W Output Power TO5 Package With FAC Lens Optional 					
Applications: <ul style="list-style-type: none"> Medical Laser Treatment Laser Show Others 					
Specifications		WSLD-635-002-2			
		Min	Type	Max	
Center Wavelength@25°C		630nm	638nm	645nm	
Spectral Width (FWHM)		----	2.0nm	----	
Output Power		----	2W	----	
Recommended Operating Temperature		25°C			
Beam Divergence (FWHM)		----	65° ± x 10° //	----	
Slope Efficiency		----	1.2W/A	----	
Threshold Current (Typ.)		----	0.5A	----	
Operating Current (Typ.)		----	2.5A	----	
Operating Voltage		----	2.5V	----	
Package Style		TO5			



T05(9mm) Package View:

PIN Bottom View:


1	LD(+)
2	LD(-)

Electrically shorten LD module and store in non-extreme conditions.

Suggest using the constant current power supply.

