
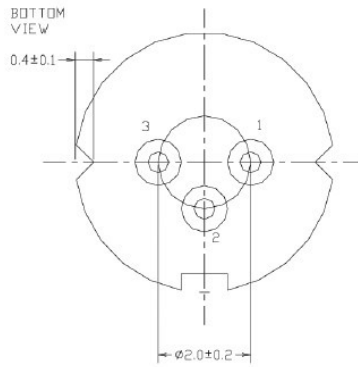
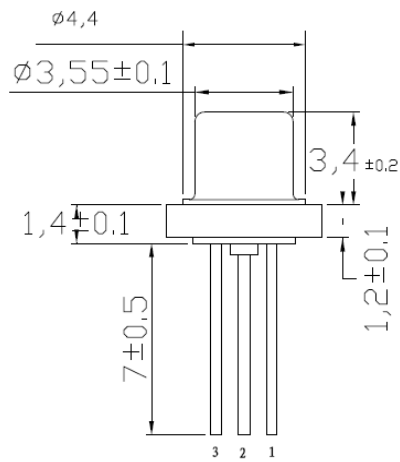


635nm 150mw Single Mode Laser Diode| SM LD
635nm 5.6mm Package|150mw| SM LD
WSLD-635-150m-1
Wavespectrum Laser, Inc.
www.wavespectrum-laser.com

635nm Laser Diode		150mw		Wavespectrum Laser, Inc	
PARAMETER	SYMBOL	VALUE		UNIT	
Reverse Voltage	V_r	2.0		V	
Operating Temperature	T_{op}	-5 ~ +50		°C	
Storage Temperature	T_{stg}	-40 ~ +100		°C	
Lead soldering temperature (10 sec.)	T_{is}	260		°C	
Features: <ul style="list-style-type: none"> • 635nm • Single Mode beam • TO18 package 					
Applications: <ul style="list-style-type: none"> • Medical laser treatment • Laser indicator 					
Specifications		WSLD-635-150m-1			
		Min	Type	Max	
Center Wavelength@25°C		632nm	638nm	643nm	
Recommended Temperature		25 °C			
Output Power		----	150mW	----	
Emitter		Single			
Beam Divergence (FWHM)		$13^\circ \perp \times 5^\circ //$	$18^\circ \perp \times 9^\circ //$	$23^\circ \perp \times 13^\circ //$	
Monitor Current		----			
PD Reverse Voltage		----			
PD Forward Current		----			
Slope Efficiency		----	0. 95mW/mA	1.2mW/mA	
Threshold Current (Typ.)		55mA	80mA	105mA	
Operating Current (Typ.)		150mA	230mA	290mA	
Operating Voltage		----	2.2V	3V	
Package Style		TO18 (5.6mm)			



TO18 Package View


1	LD(-)
2	Case
3	LD(+)

Electrically shorten LD module and store in non-extreme conditions.
 Suggest using the constant current power supply.

