

780nm~785nm~790nm 3W~4W C-mount Laser Diode | FAC Optional | Square Beam Optional

785nm Laser Diode| High Power LD| 3W Power| C-mount Package

WSLD-785-003-C

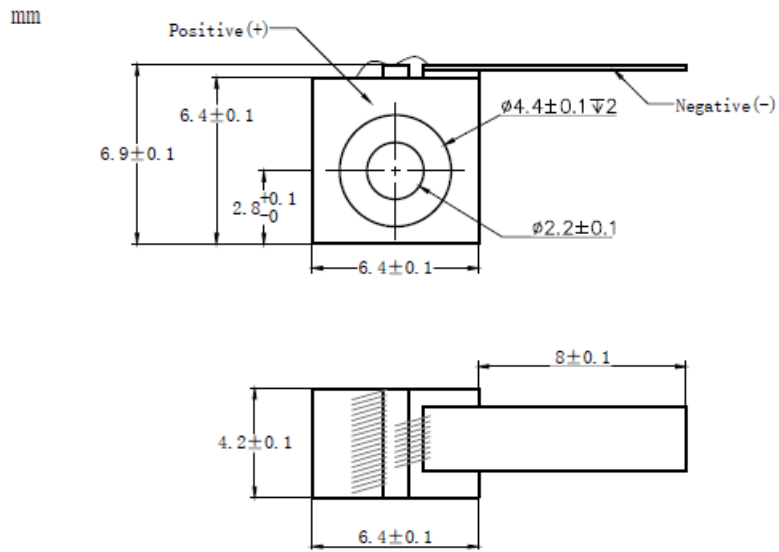
Wavespectrum Laser Group

www.wavespectrum-laser.com
en.wavespectrum-laser.com.cn

785nm Laser Diode		3W/C-mount	
PARAMETER	SYMBOL	VALUE	UNIT
Reverse Voltage	V_r	2.0	V
Operating Temperature	T_{op}	+10~+30	°C
Storage Temperature	T_{stg}	-20~ +80	°C
Lead soldering temperature (10 sec.)	T_{is}	260	°C
Features: <ul style="list-style-type: none"> ● 785nm ● Multimode ● C-mount Package ● FAC Lens Optional 			
Applications: <ul style="list-style-type: none"> ● Medical Laser Treatment ● Sensing ● Others 			
Specifications	WSLD-785-003-C		
	Min	Type	Max
Center Wavelength@25°C	±5nm	785nm	±10nm
Spectral Width (FWHM)		2.0nm	
Output Power	----	3W	----
Emitter Area	----	200x1μm	----
Beam Divergence (FWHM)	----	35°± x 8°//	----
Temperature Coefficient of Wavelength	----	0.3nm / °C	----
Slope Efficiency	----	1.1W/A	----
Threshold Current (Typ.)	----	0.7A	----
Operating Current (Typ.)	----	4.0A	----
Operating Voltage	----	1.9V	----
Package Style	C-mount		
Recommended Operating Temperature	25°C		



C-mount Package View



**Electrically shorten LD module and store in non-extreme conditions.
Suggest using the constant current power supply.**

