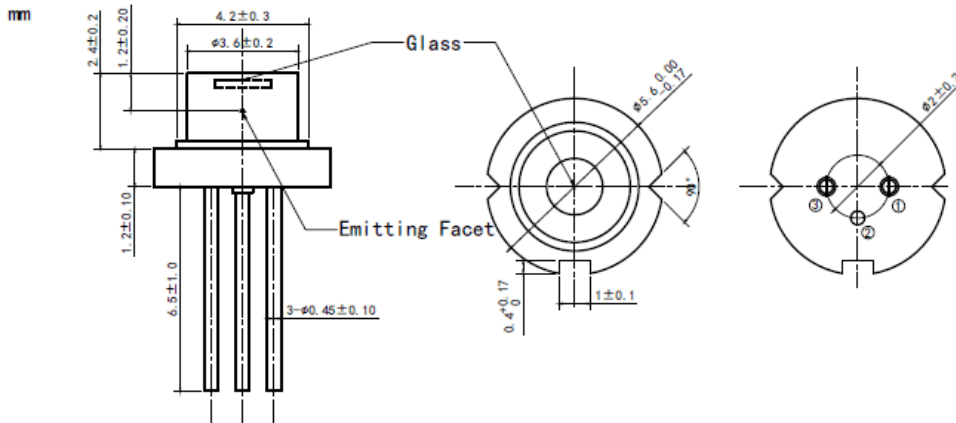


820nm~830nm~840nm 250mW Single Mode LD| SM Laser Diode|5.6mm TO18 Package  
 830nm SM Laser Diodes | High Power Single Mode LD| 250mW Power Built-in Photodiode  
 WSLD-830-250m-1-PD      Wavespectrum laser Group.      www.wavespectrum-laser.com

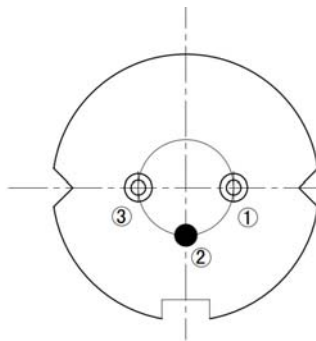
830nm Laser Diode    PD    250mW/TO18		Wavespectrum Laser Group	
Reverse Voltage	$V_r$	2.0	V
Operating Temperature	$T_{op}$	-20~+50	°C
Storage Temperature	$T_{stg}$	-40~+80	°C
Lead soldering temperature (10 sec.)	$T_{is}$	260	°C
<b>Features:</b> <ul style="list-style-type: none"> <li>● 830nm</li> <li>● Single Mode</li> <li>● Built-in PD</li> <li>● TO18 Package</li> </ul>			
<b>Applications:</b> <ul style="list-style-type: none"> <li>● Medical Laser Treatment</li> <li>● Laser Indicator</li> <li>● Laser Detector</li> </ul>			
<b>Specifications</b>	<b>WSLD-830-250m-1-PD</b>		
	Min	Type	Max
Center Wavelength@25°C	±10nm	830nm	±15nm
Spectral Width (FWHM)	3.0nm		
Output Power	250mW		
Recommended Operating Temperature	25°C		
Beam Divergence (FWHM)	$8^\circ \perp \times 28^\circ //$		
Monitor Current	0.6mA		
PD MAX Reverse Voltage	25V		
Slope Efficiency	----	1mW/mA	
Threshold Current (Typ.)	----	40mA	80mA
Operating Current (Typ.)	----	300mA	330mA
Operating Voltage	----	2.8V	3.5V
Package Style	TO18		



**TO18(5.6mm) Package View**



**PIN Bottom View:**



1	LD(-)
2	LD(+) & PD(-)
3	PD(+)

Electrically shorten LD module and store in non-extreme conditions.

Suggest using the constant current power supply.

