
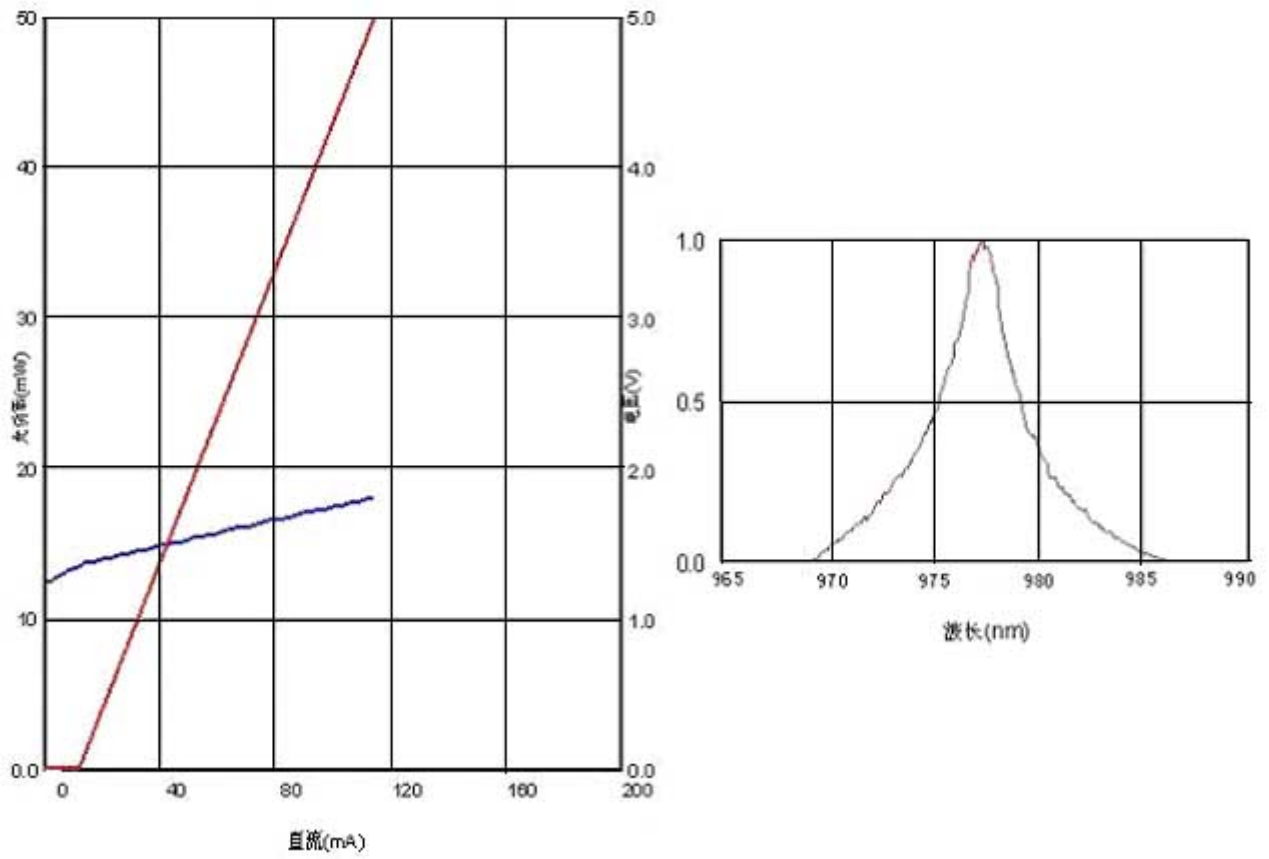


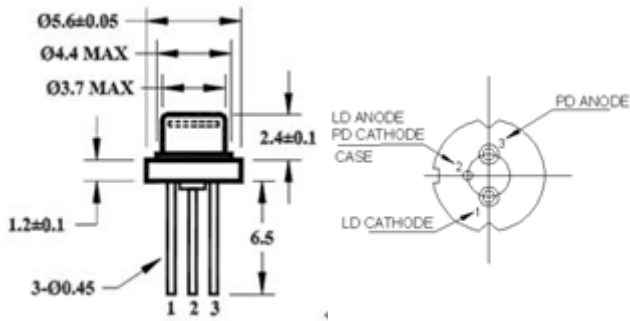
PARAMETER	SYMBOL	VALUE	UNIT
Reverse Voltage	V_r	2.0	V
Operating Temperature	T_{op}	-10~+40	°C
Storage Temperature	T_{stg}	-15 ~ +85	°C
Lead soldering temperature (10 sec.)	T_{is}	260	°C
Features: <ul style="list-style-type: none"> ● 980nm ● CW ● TO18 package 			
Applications: <ul style="list-style-type: none"> ● Medical laser treatment ● Laser indicator ● Laser detector 			
Specifications	WSLD-980-050m-1		
	Min	Type	Max
Center Wavelength@25°C	965nm	980nm	995nm
Spectral Width (FWHM)	3.0nm		
Output Power	50mw		
Emitter	Single		
Beam Divergence (FWHM)	$36^\circ \pm \times 12^\circ //$		
Temperature Coefficient of Wavelength	0.3nm / °C		
Slope Efficiency	0.9mW/mA		
Threshold Current (Typ.)	12mA		
Operating Current (Typ.)	75mA		
Operating Voltage	1.5V		
Package Style	TO18		



Spectrum

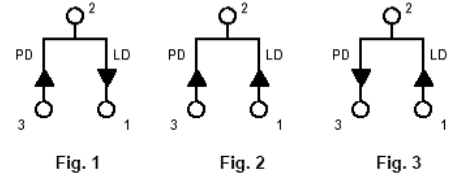


TO18(5.6mm) Package View

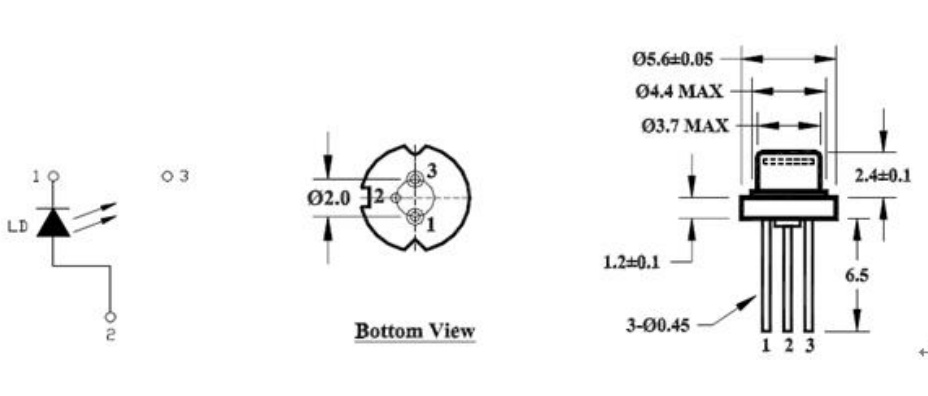


Pin Configuration

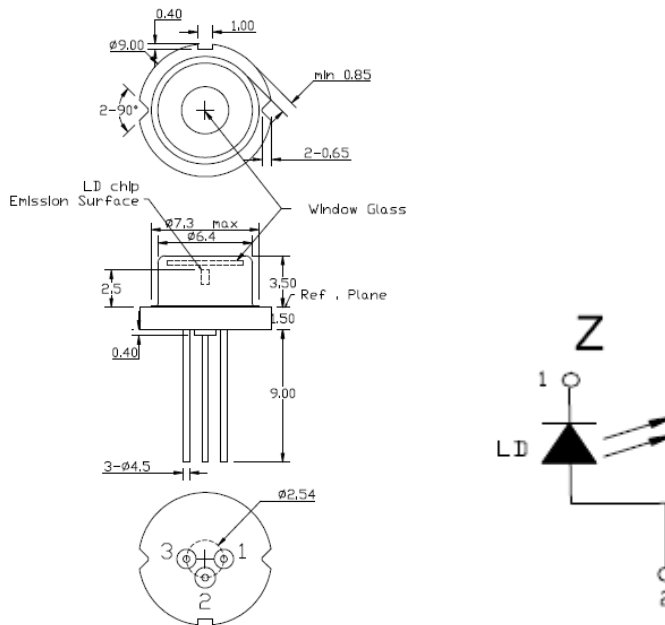
A	LD cathode, PD anode (Fig. 1)
B	LD, PD anode (Fig. 2)
C	LD anode, PD cathode (Fig. 3)



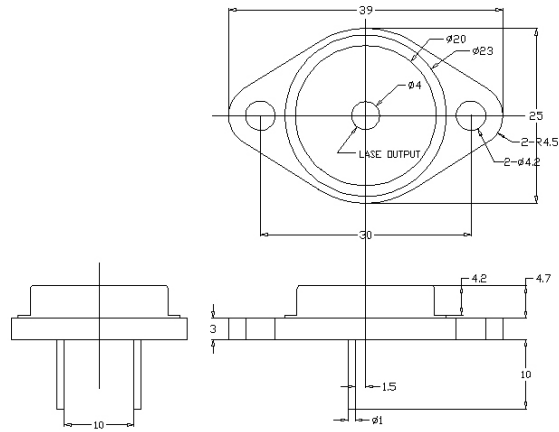
TO18(5.6mm) without PD Package View



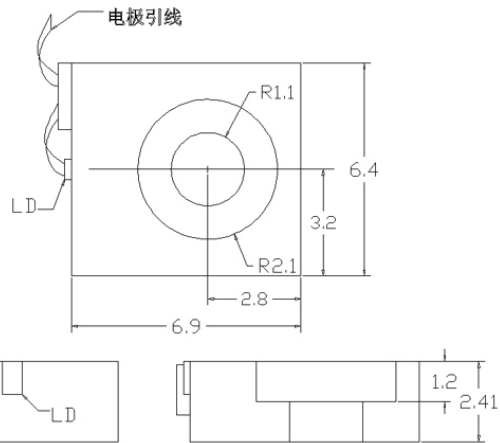
TO5(9mm) Package View



T03 Package View



C-mount Package View



Electrically shorten LD module and store in non-extreme conditions.
 Suggest using the constant current power supply.

