
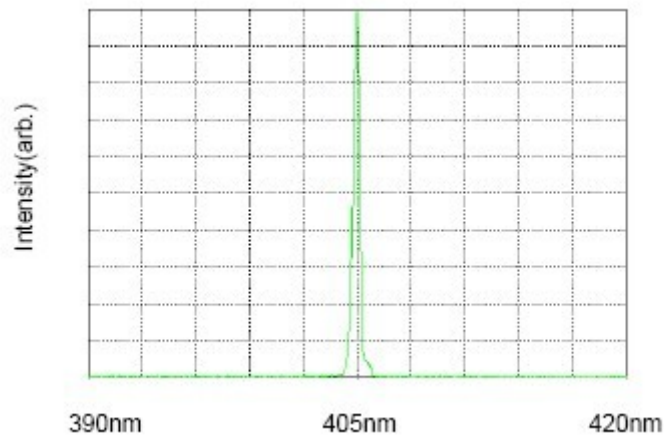


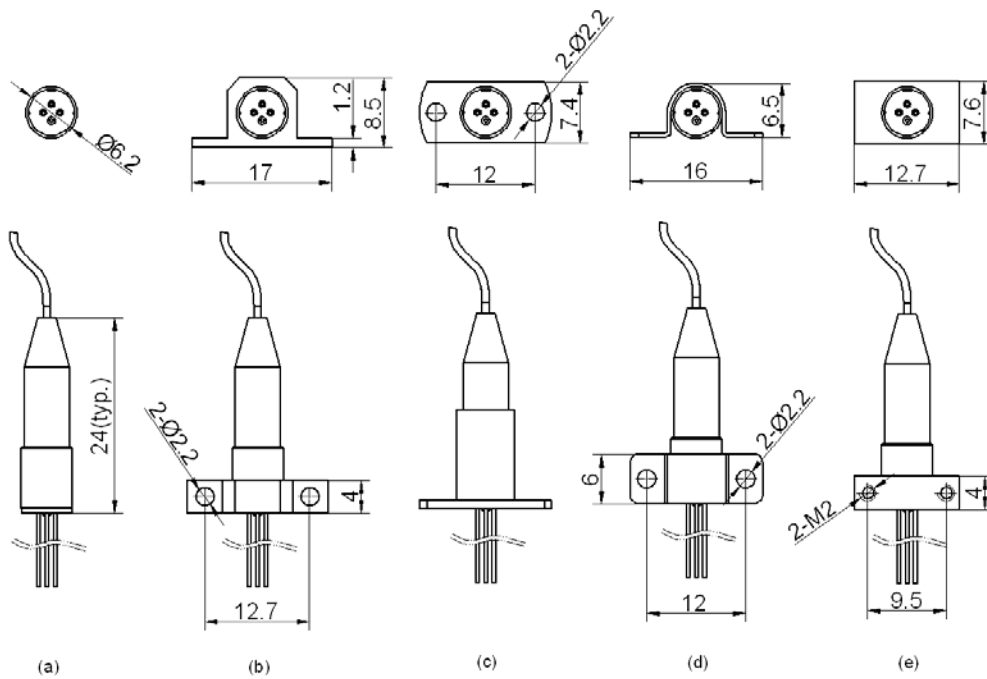
PARAMETER	SYMBOL	VALUE	UNIT
Reverse Voltage	V_r	5.0	V
Operating Temperature	T_{op}	0 ~ +30	°C
Storage Temperature	T_{stg}	-35 ~ +85	°C
Lead soldering temperature (10 sec.)	T_{is}	260	°C
Features: <ul style="list-style-type: none"> ● 405nm ● 4um SM Fiber ● Coaxial package ● PD Optional 			
Applications: <ul style="list-style-type: none"> ● Medical laser treatment ● Printing 			
Specifications	WSLP-405-060m-4-(PD)		
	Min	Type	Max
Center Wavelength@25°C	400nm	405nm	410nm
Spectral Width (FWHM)	----	2.0nm	----
Output Power	----	60mw	----
Fiber Core	4um single mode		
Slope Efficiency	1.0mW/mA	1.5mW/mA	2.0mW/mA
Monitor Current	----	----	----
PD Reverse Voltage	----	----	----
Fiber Connector	FC/ST/SMA905		
Fiber Length	----	80cm	100cm
Threshold Current (Typ.)	----	100mA	130mA
Operating Current (Typ.)	----	200mA	230mA
Operating Voltage	----	4.1V	4.6V
Package Style	Coaxial		
PD(optional)	Side-face PD(SI PD:300nm~600nm response) Optional		



Spectrum of 405nm pigtailed laser diodes



Coaxial Package View



Electrically shorten LD module and store in non-extreme conditions.

Suggest using the constant current power supply.

