


405nm 160mW Pigtailed Coaxial Package Laser Diode
405nm Fiber coupled diode laser

WSLP-405-160m-105M

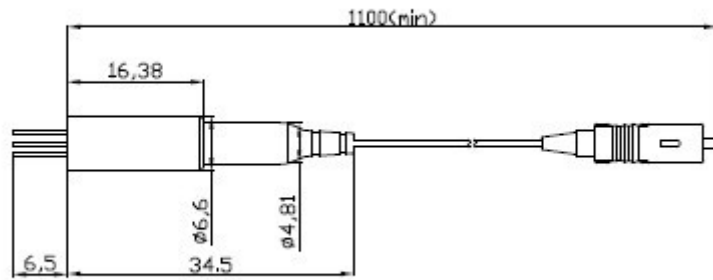
Wavespectrum laser inc.

www.wavespectrum-laser.com

405nm Pigtailed Diode Laser		160mW/MM Fiber		Wavespectrum Laser, Inc	
PARAMETER	SYMBOL	VALUE	UNIT		
Reverse Voltage	V_r	5.0	V		
Operating Temperature	T_{op}	0 ~ +30	°C		
Storage Temperature	T_{stg}	-35 ~ +85	°C		
Lead soldering temperature (10 sec.)	T_{is}	260	°C		
Features: <ul style="list-style-type: none"> ● 405nm ● MM Fiber ● Coaxial package ● PD Optional 					
Applications: <ul style="list-style-type: none"> ● Medical laser treatment ● Printing 					
Specifications		WSLP-405-160m-105M			
	Min	Type	Max		
Center Wavelength@25°C	400nm	405nm	410nm		
Spectral Width (FWHM)	----	2.0nm	----		
Output Power	----	160mW	200mW		
Fiber Core	105um				
Slope Efficiency	1.0mW/mA	1.5mW/mA	2.0mW/mA		
Monitor Current	----	----	----		
PD Reverse Voltage	----	----	----		
Fiber Connector	FC/ST/SMA905				
Fiber Length	----	80cm	100cm		
Threshold Current (Typ.)	----	100mA	130mA		
Operating Current (Typ.)	----	200mA	230mA		
Operating Voltage	----	4.1V	4.6V		
Package Style	Coaxial				
PD(optional)	Side-face PD(SI PD:300nm~600nm response) Optional				

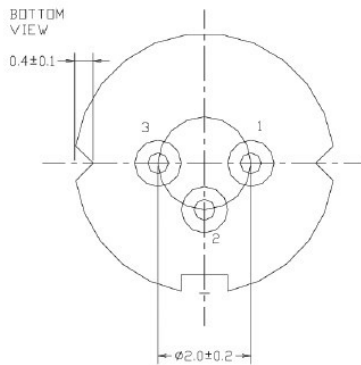


Coaxial Package View



单位: mm

PIN Bottom View:



1	LD(+)
2	GND
3	LD(-)

Electrically shorten LD module and store in non-extreme conditions.

Suggest using the constant current power supply.



Please contact us:

Website: www.wavespectrum-laser.com(for more detailed information)

Email: info@wavespectrum-laser.com (for inquiry about this product)

