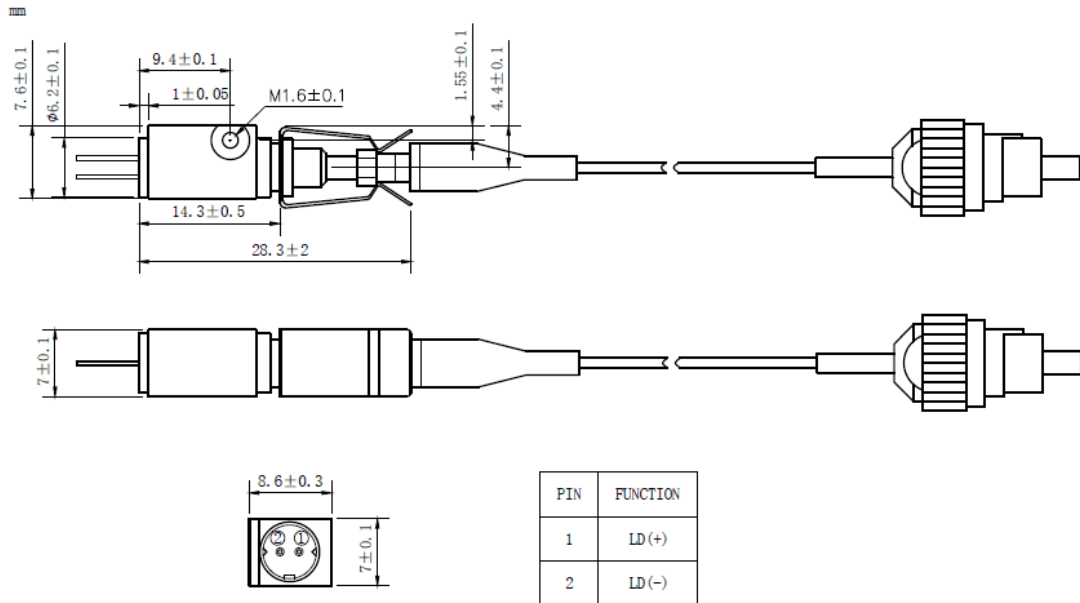


405nm 350mW Fiber Coupled Diode Laser with MM Fiber | 105um UV Fiber
405nm 350mW Multi-mode Pigtailed Laser Diode Module | Coaxial Package | Violet LD Module
WSLP-405-350m-105M
Wavespectrum Laser Group
www.wavespectrum-laser.com

405nm Pigtailed Diode Laser		350mW/MM Fiber		en.wavespectrum-laser.com.cn	
PARAMETER	SYMBOL	VALUE		UNIT	
Reverse Voltage	V_r	2.0		V	
Operating Temperature	T_{op}	0 ~ +50		°C	
Storage Temperature	T_{stg}	-40 ~ +85		°C	
Lead soldering temperature (10 sec.)	T_{is}	260		°C	
Features: <ul style="list-style-type: none"> 405nm CW Mode Coaxial Package Fiber Receptacle Optional 					
Applications: <ul style="list-style-type: none"> Medical Laser Treatment Printing Others 					
Specifications		WSLP-405-350m-105M			
		Min	Type	Max	
Center Wavelength@25°C		±5nm	405nm	±10nm	
Spectral Width (FWHM)		----	2.0nm	----	
Output Power		----	350mW	----	
Recommend Operating Temperature		25°C			
Fiber Type		UV Multi-mode Fiber			
Fiber Core		105um (200um Optional)			
Threshold Current (Typ.)		----	140mA	220mA	
Operating Current (Typ.)		----	380mA	400mA	
Operating Voltage		----	4.5V	5.5V	
Fiber Length		80cm			
Fiber Connector		FC/SC/SMA905			
Package Style		Coaxial			



Package View:



Electrically shorten LD module and store in non-extreme conditions.

Suggest using the constant current power supply.

