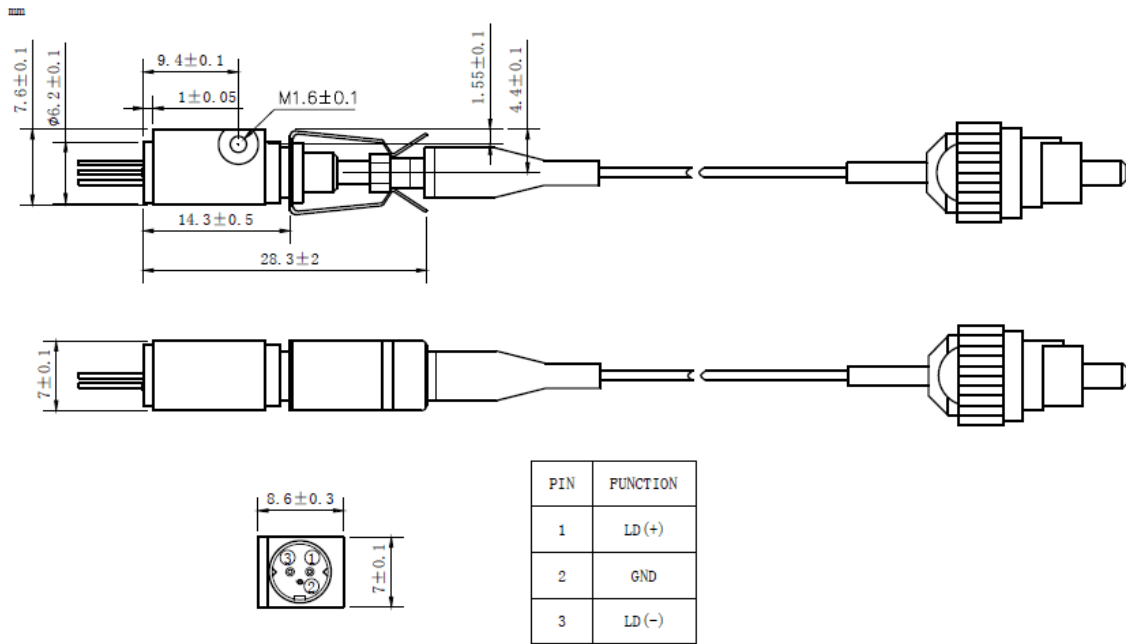


445nm~450nm 1W Fiber Coupled Diode Laser with MM Fiber | 105um UV Fiber | Blue Laser
445nm 1W Multi-mode Pigtailed LD Module | Coaxial Package | Built-in TEC cooler Optional
WSLP-445-001-M **Wavespectrum Laser Group** **www.wavespectrum-laser.com**

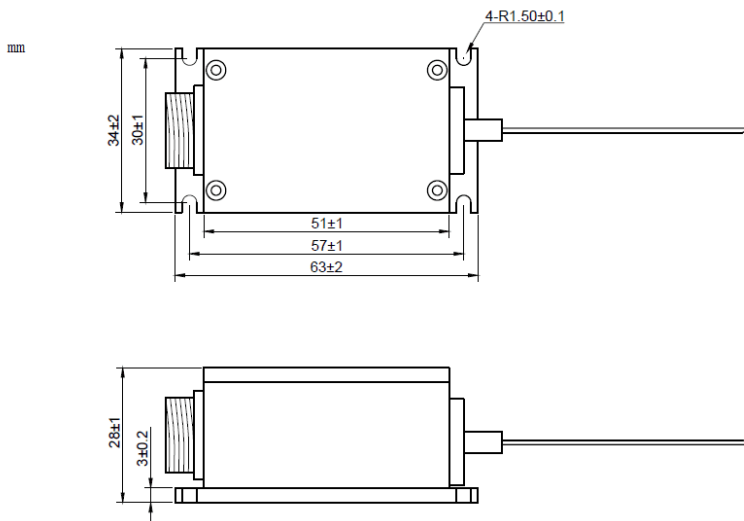
| 445nm Pigtailed Diode Laser | | 1W/MM Fiber | | en.wavespectrum-laser.com.cn | |
|--|--|-------------|-------|------------------------------|--|
| PARAMETER | SYMBOL | VALUE | | UNIT | |
| Reverse Voltage | V_r | 2.0 | | V | |
| Operating Temperature | T_{op} | 0~+70 | | °C | |
| Storage Temperature | T_{stg} | -40~+85 | | °C | |
| Lead soldering temperature (10 sec.) | T_{is} | 260 | | °C | |
| Features: <ul style="list-style-type: none"> ● 450nm ● CW Mode ● Coaxial or HHL Package ● Fiber Receptacle Optional |  | | | | |
| Applications: <ul style="list-style-type: none"> ● Medical Laser Treatment ● Printing ● Others | | | | | |
| Specifications | WSLP-445-001-M | | | | |
| | Min | Type | Max | | |
| Center Wavelength@25°C | ±5nm | 450nm | ±10nm | | |
| Spectral Width (FWHM) | ---- | 2.0nm | ---- | | |
| Output Power | ---- | 1W | ---- | | |
| Recommend Operating Temperature | 25°C | | | | |
| Fiber Type | UV Multi-mode Fiber | | | | |
| Fiber Core | 105um | | | | |
| Threshold Current (Typ.) | ---- | 0.3A | 0.6A | | |
| Operating Current (Typ.) | ---- | 1.4A | 1.6A | | |
| Operating Voltage | ---- | 6.0V | 7.0V | | |
| Fiber Length | 80cm | | | | |
| Fiber Connector | FC/SC/SMA905 | | | | |
| Package Style | Coaxial or HHL | | | | |
| TEC cooler | Optional | | | | |



Coaxial Package View: (Part Number: WSLP-445-001-M)



HHL Package View (Built-in TEC cooler): (Part Number: WSLX-445-001-H-T)



Electrically shorten LD module and store in non-extreme conditions.
 Suggest using the constant current power supply.



Wavespectrum Laser Group
www.wavespectrum-laser.com
sales@wavespectrum-laser.com

