


**445nm-450nm-455nm 15mW Coaxial Package Pigtailed Laser Diode with PM Fiber
445nm Fiber coupled Diode Laser with Polarization Maintaining Fiber**

WSLP-445-015m-PM

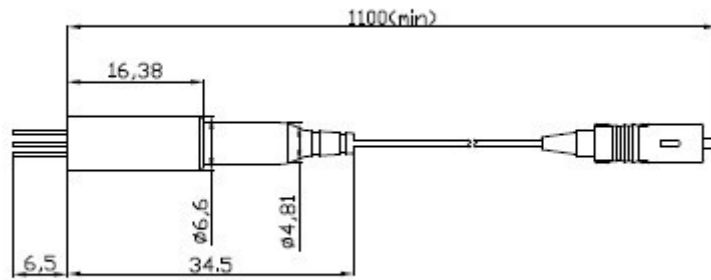
Wavespectrum laser inc.

www.wavespectrum-laser.com

| 445nm Pigtailed Diode Laser | | 15mW/PM Fiber | | Wavespectrum Laser, Inc | |
|----------------------------------------------------------------------------------------------------------------------------------|--------------|------------------------------------------------------------------------------------|-------|-------------------------|--|
| PARAMETER | SYMBOL | VALUE | UNIT | | |
| Reverse Voltage | V_r | 2.0 | V | | |
| Operating Temperature | T_{op} | +10 ~ +70 | °C | | |
| Storage Temperature | T_{stg} | -40 ~ +85 | °C | | |
| Lead soldering temperature (10 sec.) | T_{is} | 260 | °C | | |
| Features: <ul style="list-style-type: none"> ● 445nm ● UV 4um PM Fiber ● Coaxial package | |  | | | |
| Applications: <ul style="list-style-type: none"> ● Medical laser treatment ● Printing | | | | | |
| Specifications | | WSLP-445-015m-PM | | | |
| | Min | Type | Max | | |
| Center Wavelength@25°C | 440nm | 445nm | 460nm | | |
| Spectral Width (FWHM) | ---- | 2.0nm | ---- | | |
| Output Power | ---- | 15mW | ---- | | |
| Fiber Core | 4um PM Fiber | | | | |
| Slope Efficiency | ---- | 1.0mW/mA | ---- | | |
| Monitor Current | ---- | ---- | ---- | | |
| PD Reverse Voltage | ---- | ---- | ---- | | |
| Fiber Connector | FC/ST/SMA905 | | | | |
| Fiber Length | ---- | 80cm | 100cm | | |
| Threshold Current (Typ.) | ---- | 30mA | 60mA | | |
| Operating Current (Typ.) | ---- | 80mA | 120mA | | |
| Operating Voltage | ---- | 5.5V | 6.5V | | |
| Package Style | Coaxial | | | | |
| | | | | | |

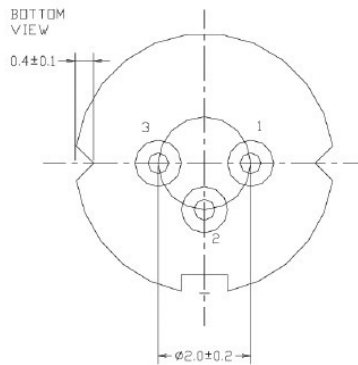


Coaxial Package View



单位: mm

PIN Bottom View:



| | |
|----------|--------------|
| 1 | LD(+) |
| 2 | GND |
| 3 | LD(-) |

Electrically shorten LD module and store in non-extreme conditions.

Suggest using the constant current power supply.



Please contact us:

Website: www.wavespectrum-laser.com (for more detailed information)

Email: info@wavespectrum-laser.com (for inquiry about this product)

