


450nm MM 50~60mw Coaxial Pigtailed LD|PD Optional

445nm Fiber coupled Laser Diode| Blue Laser| 10um 20um 25um 40um 50um 60um 105um Fiber

WSLP-445-050m-M

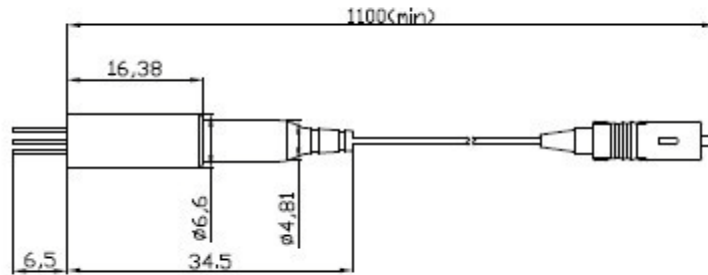
Wavespectrum laser inc.

www.wavespectrum-laser.com

445nm Pigtailed Diode Laser		50mW/MM Fiber		Wavespectrum Laser, Inc	
PARAMETER	SYMBOL	VALUE	UNIT		
Reverse Voltage	V_r	2.0	V		
Operating Temperature	T_{op}	+10 ~ +70	°C		
Storage Temperature	T_{stg}	-40 ~ +85	°C		
Lead soldering temperature (10 sec.)	T_{is}	260	°C		
Features: <ul style="list-style-type: none"> • 445nm • UV NM Fiber • Coaxial package • PD Optional 					
Applications: <ul style="list-style-type: none"> • Medical laser treatment • Printing • Others 					
Specifications	WSLP-445-050m-M				
	Min	Type	Max		
Center Wavelength@25°C	440nm	445nm	460nm		
Spectral Width (FWHM)	----	2.0nm	----		
Output Power	40mW	50mW	60mW		
Fiber Type	MM UV Fiber				
Fiber Core	105um (10um,15um,20um,25um,40um,50um,60um,200um,400um Optional)				
Recommended Operating Temperature	25°C				
Fiber Connector	FC/ST/SMA905				
Fiber Length	----	80cm	100cm		
Threshold Current (Typ.)	----	30mA	60mA		
Operating Current (Typ.)	----	80mA	120mA		
Operating Voltage	----	5.5V	6.5V		
Package Style	Coaxial				
Built-in Photodiode	Optional				
Built-in TEC Cooling	Optional				

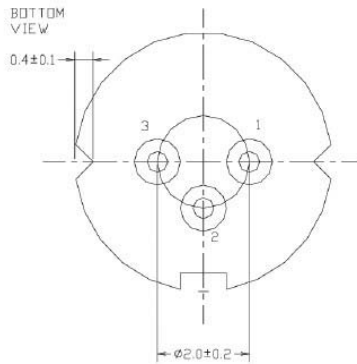


Coaxial Package View



单位: mm

PIN Bottom View:



1	LD(+)
2	GND
3	LD(-)

Electrically shorten LD module and store in non-extreme conditions.

Suggest using the constant current power supply.

