


520nm Green 20mW~30mW MM Coaxial Fiber Coupled Laser Diode with MMF
515nm~520nm~530nm MM Pigtailed LD with Multimode Fiber (MM Fiber)

WSLP-520-020m-M

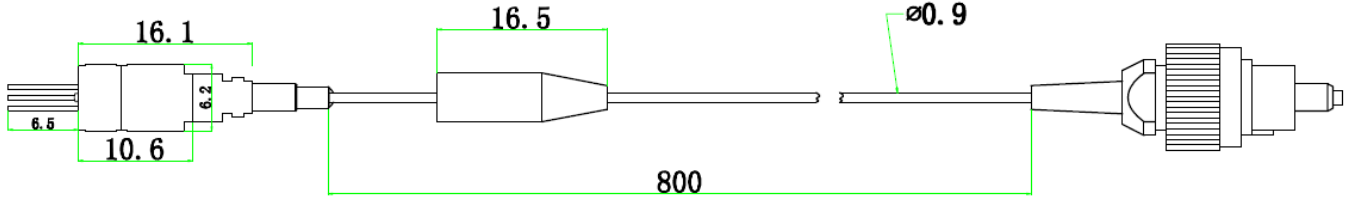
Wavespectrum Laser Group

www.wavespectrum-laser.com

520nm Pigtailed Diode Laser		MM Fiber		Wavespectrum Laser Group	
PARAMETER	SYMBOL	VALUE	UNIT		
Reverse Voltage	V_r	2.0	V		
Operating Temperature	T_{op}	+10 ~ +70	°C		
Storage Temperature	T_{stg}	-40 ~ +85	°C		
Lead soldering temperature (10 sec.)	T_{is}	260	°C		
Features: <ul style="list-style-type: none"> ● 520nm Green Diode Laser ● Multimode Fiber ● Coaxial Package 					
Applications: <ul style="list-style-type: none"> ● Medical laser treatment ● Others 					
Specifications	WSLP-520-020m-M				
	Min	Type	Max		
Center Wavelength@25°C	+/-5nm	520nm	+/-10nm		
Spectral Width (FWHM)	----	2.0nm	----		
Output Power	----	20mW	----		
Fiber Type	Multimode Fiber				
Fiber Core	50um,62.5um,105um Optional				
Recommend Operating Temperature	25°C				
Fiber Connector	FC				
Fiber Length	----	80cm	100cm		
Threshold Current (Typ.)	----	55mA	70mA		
Operating Current (Typ.)	----	180mA	200mA		
Operating Voltage	----	7.5V	8.0V		
Package Style	Coaxial				

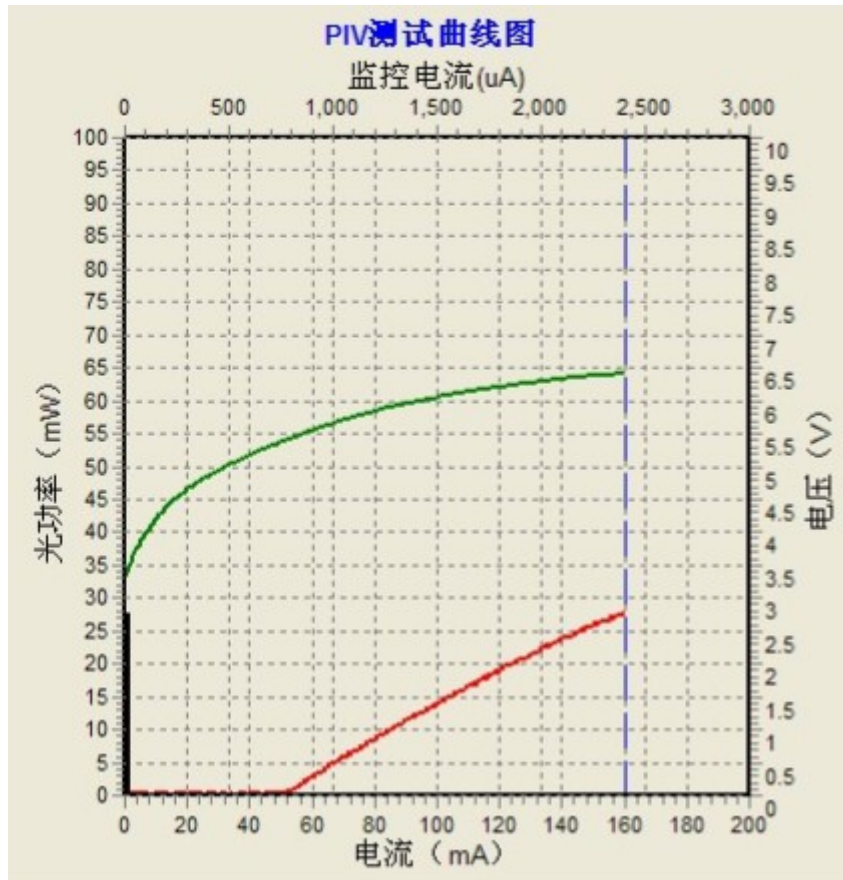


Coaxial Package View

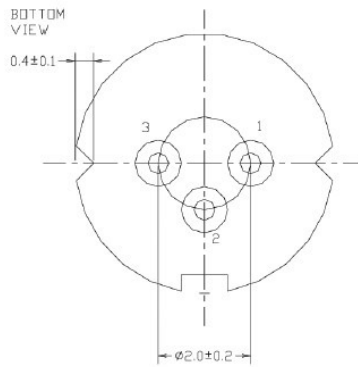


单位: mm

PVI Curve:



PIN Bottom View:



1	LD(+)
2	GND
3	LD(-)

Electrically shorten LD module and store in non-extreme conditions.
 Suggest using the constant current power supply.

