
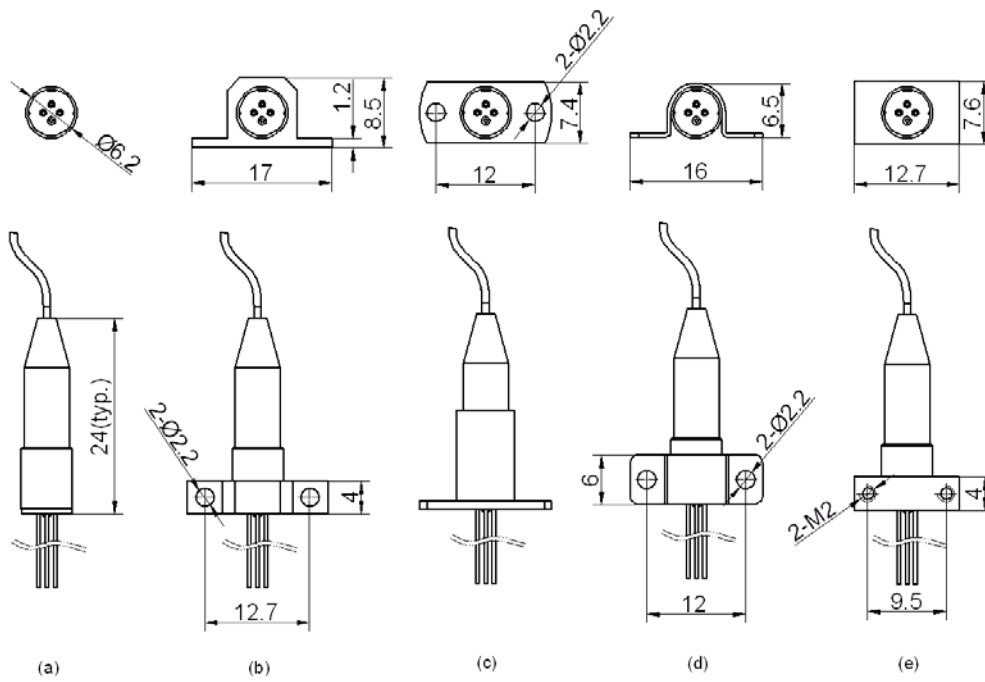


PARAMETER	SYMBOL	VALUE	UNIT
Reverse Voltage	$V_r$	2.0	V
Operating Temperature	$T_{op}$	-10~+50	°C
Storage Temperature	$T_{stg}$	-40 ~ +85	°C
Lead soldering temperature (10 sec.)	$T_{is}$	260	°C
<b>Features:</b> <ul style="list-style-type: none"> <li>● 635nm</li> <li>● SM Fiber</li> <li>● Coaxial package</li> <li>● Built-in PD</li> </ul>			
<b>Applications:</b> <ul style="list-style-type: none"> <li>● Medical laser treatment</li> <li>● Printing</li> </ul>			
<b>Specifications</b>	<b>WSLP-635-005m-4-PD</b>		
	Min	Type	Max
Center Wavelength@25°C	630nm	639nm	645nm
Spectral Width (FWHM)	----	2.0nm	----
Output Power	----	>5mw	----
Fiber Core	4um		
Slope Efficiency	0.5mW/mA	0.8mW/mA	----
Monitor Current	0.1mA	0.2mA	1.0mA
PD Reverse Voltage	----	30V	----
Fiber Connector	FC/ST/SMA905		
Fiber Length	----	80cm	100cm
Threshold Current (Typ.)	----	50mA	55mA
Operating Current (Typ.)	----	70mA	85mA
Operating Voltage	----	2.3V	2.4V
Package Style	Coaxial		



### Coaxial Package View



Electrically shorten LD module and store in non-extreme conditions.  
 Suggest using the constant current power supply.

