
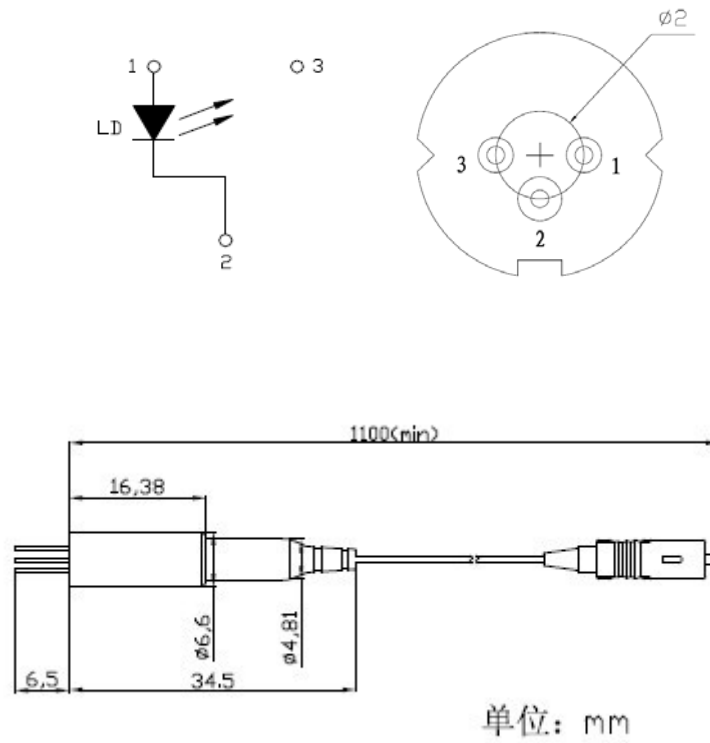


650nm Pigtailed Diode Laser		40mW/PM Fiber		Wavespectrum Laser, Inc	
PARAMETER	SYMBOL	VALUE	UNIT		
Reverse Voltage	V_r	2.0		V	
Operating Temperature	T_{op}	-10 ~ +50		°C	
Storage Temperature	T_{stg}	-40 ~ +85		°C	
Lead soldering temperature (10 sec.)	T_{is}	260		°C	
Features: <ul style="list-style-type: none"> 650nm PM Fiber Coaxial package 					
Applications: <ul style="list-style-type: none"> Medical laser treatment Printing 					
Specifications	WSLP-650-040m-PM				
	Min	Type		Max	
Center Wavelength@25°C	654nm	658nm		662nm	
Spectral Width (FWHM)	----	2.0nm		----	
Output Power	----	40mw		----	
Fiber Core	PM Fiber				
Slope Efficiency	----	0.95mW/mA		----	
Monitor Current	----	----		----	
PD Reverse Voltage	----	----		----	
Fiber Connector	FC/ST/SMA905				
Fiber Length	----	80cm		100cm	
Threshold Current (Typ.)	----	70mA		90mA	
Operating Current (Typ.)	----	230mA		----	
Operating Voltage	----	2.4V		3.0V	
Package Style	Coaxial				



Coaxial Package View



Electrically shorten LD module and store in non-extreme conditions.
 Suggest using the constant current power supply.

