
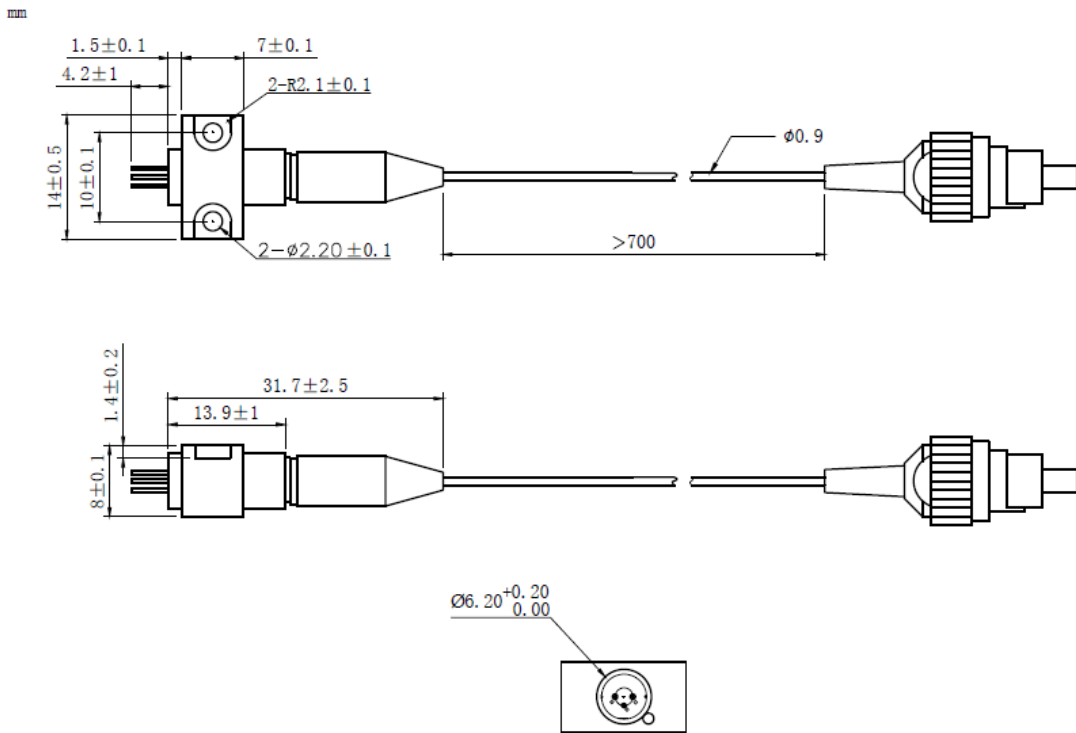
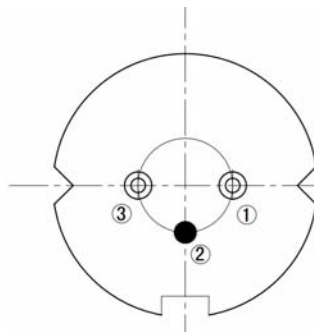


650nm~658nm 150mW Multi-mode Fiber Coupled Laser Diode | Red LDM
650nm 150mW Coaxial Pigtailed Diode Laser with MMF | 50um, 62.5um, 105um, 200um Fiber Optional
WSLP-650-150m-M Wavespectrum Laser Group www.wavespectrum-laser.com

650nm Pigtailed Diode Laser		150mW/MM Fiber		en.wavespectrum-laser.com.cn	
PARAMETER	SYMBOL	VALUE		UNIT	
Reverse Voltage	V_r	2.0		V	
Operating Temperature	T_{op}	-10~+50		°C	
Storage Temperature	T_{stg}	-40~+85		°C	
Lead soldering temperature (10 sec.)	T_{is}	260		°C	
Features: <ul style="list-style-type: none"> 🔸 650nm 🔸 MM Fiber 🔸 Coaxial Package Optional 🔸 B82 Package Optional 					
Applications: <ul style="list-style-type: none"> 🔸 Medical Laser Treatment 🔸 Aiming Beam 🔸 Others 					
Specifications	WSLP-650-150m-M				
	Min	Type	Max		
Center Wavelength@25°C	±5nm	658nm	±10nm		
Recommended work Temperature	25°C				
Output Power	----	150mW	----		
Fiber Type	Multi-mode Fiber				
Fiber Core	105um (50um, 62.5um Optional)				
Monitor Current	----	----	----		
PD Reverse Voltage	----	----	----		
Fiber Connector	FC/SC/SMA905				
Fiber Length	----	80cm	100cm		
Threshold Current (Typ.)	----	55mA	90mA		
Operating Current (Typ.)	----	230mA	250mA		
Operating Voltage	----	2.8V	3.5V		
Package Style	Coaxial or B82				



Coaxial Package View: (Part Number: WSLP-650-150m-M)

B82 Package View: (Part Number: WSLP-650-150m-M-B)

PIN Bottom View:


1	LD(+)
2	LD(-)
3	NC



Electrically shorten LD module and store in non-extreme conditions.
Suggest using the constant current power supply.

