
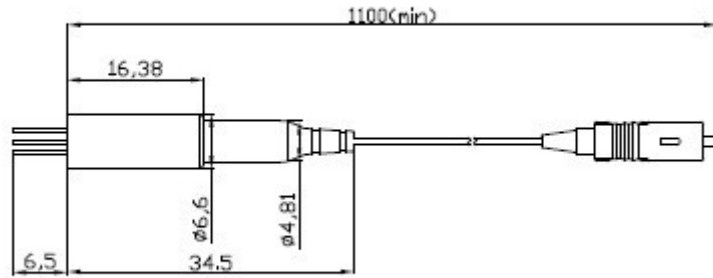


850nm 10mw SM Coaxial Pigtail laser diode with Polarization maintaining fiber
840nm~850nm Fiber Coupled LD with PMF
WSLP-850-010m-PM-PD

850nm Pigtailed Diode Laser		10mW/PM Fiber		Wavespectrum Laser, Inc	
PARAMETER	SYMBOL	VALUE	UNIT		
Reverse Voltage	V_r	2.0		V	
Operating Temperature	T_{op}	-10~+40		°C	
Storage Temperature	T_{stg}	-15 ~ +85		°C	
Lead soldering temperature (10 sec.)	T_{is}	260		°C	
Features: <ul style="list-style-type: none"> ● 850nm ● PM Fiber ● Coaxial package ● Built-in PD 					
Applications: <ul style="list-style-type: none"> ● Medical laser treatment ● Printing 					
Specifications		WSLP-850-010m-PM-PD			
	Min	Type	Max		
Center Wavelength@25°C	830nm	850nm	855nm		
Spectral Width (FWHM)	----	2.0nm	----		
Output Power	----	10mW	----		
Fiber Type	PMF				
Slope Efficiency	0.7mW/mA	0.9mW/mA	----		
Monitor Current	----	0.1mA	----		
PD Reverse Voltage	----	30V	----		
Fiber Connector	FC/ST/SMA905				
Fiber Length	----	80cm	100cm		
Threshold Current (Typ.)	----	28mA	35mA		
Operating Current (Typ.)	----	85mA	110mA		
Operating Voltage	1.5V	1.8V	2.1V		
Package Style	Coaxial				

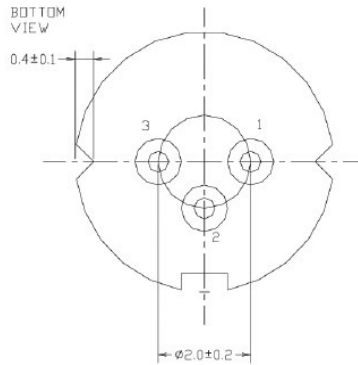


Coaxial Package View



单位: mm

PIN Bottom View:



1	PD(+)
2	LD(+)&PD(-)
3	LD(-)

Electrically shorten LD module and store in non-extreme conditions.

Suggest using the constant current power supply.

