


840nm 30mW Coaxial Fiber coupled Laser Diode| LD with MMF

840nm~850nm Pigtailed LD with MM Fiber

WSLP-850-030m-105M-PD

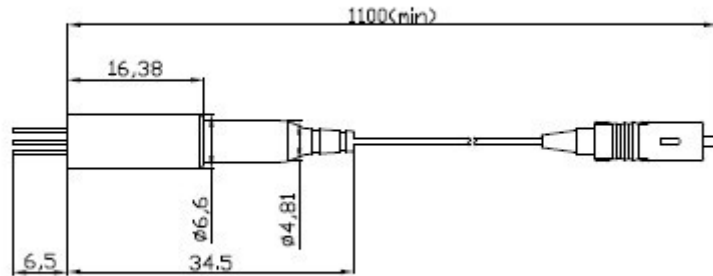
Wavespectrum laser inc.

www.wavespectrum-laser.com

| 850nm Pigtailed Diode Laser | | 30mW/MM Fiber | | Wavespectrum Laser, Inc | |
|--|--------------|--|-------|-------------------------|--|
| PARAMETER | SYMBOL | VALUE | UNIT | | |
| Reverse Voltage | V_r | 2.0 | V | | |
| Operating Temperature | T_{op} | -10~+40 | °C | | |
| Storage Temperature | T_{stg} | -15 ~ +85 | °C | | |
| Lead soldering temperature (10 sec.) | T_{is} | 260 | °C | | |
| Features: <ul style="list-style-type: none"> 850nm MM Fiber Coaxial package Built-in PD | |  | | | |
| Applications: <ul style="list-style-type: none"> Medical laser treatment Printing | | | | | |
| Specifications | | WSLP-850-030m-105M-PD | | | |
| | Min | Type | Max | | |
| Center Wavelength@25°C | 830nm | 850nm | 855nm | | |
| Spectral Width (FWHM) | ---- | 2.0nm | ---- | | |
| Output Power | ---- | 30mW | ---- | | |
| Fiber Core | 105um | | | | |
| Slope Efficiency | 0.7mW/mA | 0.9mW/mA | ---- | | |
| Monitor Current | ---- | 0.1mA | ---- | | |
| PD Reverse Voltage | ---- | 30V | ---- | | |
| Fiber Connector | FC/ST/SMA905 | | | | |
| Fiber Length | ---- | 80cm | 100cm | | |
| Threshold Current (Typ.) | ---- | 28mA | 35mA | | |
| Operating Current (Typ.) | ---- | 85mA | 110mA | | |
| Operating Voltage | 1.5V | 1.8V | 2.1V | | |
| Package Style | Coaxial | | | | |

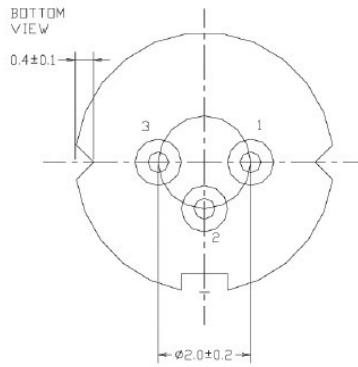


Coaxial Package View



单位: mm

PIN Bottom View:



| | |
|----------|------------------------|
| 1 | PD(+) |
| 2 | LD(+)&PD(-) |
| 3 | LD(-) |

Electrically shorten LD module and store in non-extreme conditions.

Suggest using the constant current power supply.

