


**940nm 50mW Coaxial Pigtailed Laser Diode LD with PMF**

**940nm PM Fiber Coupled Laser Diodes with Polarization Maintaining fiber**

WSLP-940-050m-PM-PD

Wavespectrum laser inc.

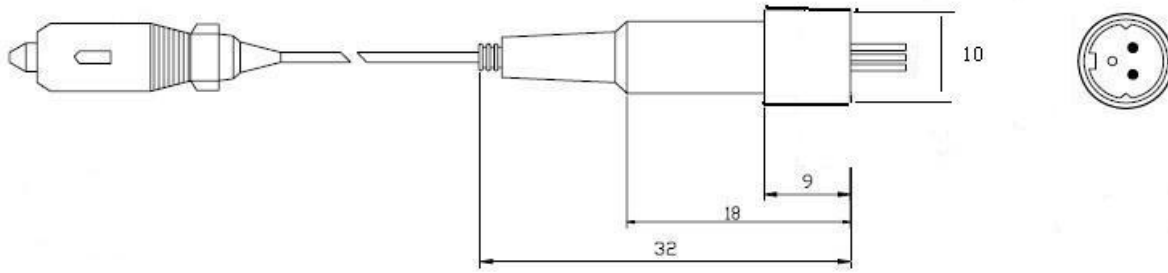
www.wavespectrum-laser.com

940nm Pigtailed Diode Laser		50mW/PM Fiber		Wavespectrum Laser, Inc	
PARAMETER	SYMBOL	VALUE	UNIT		
Reverse Voltage	$V_r$	2.0	V		
Operating Temperature	$T_{op}$	-20 ~ +50	°C		
Storage Temperature	$T_{stg}$	-40 ~ +80	°C		
Lead soldering temperature (10 sec.)	$T_{is}$	250	°C		
<b>Features:</b> <ul style="list-style-type: none"> <li>940nm</li> <li>Polarization Maintaining Fiber</li> <li>Coaxial package</li> <li>Built-in PD</li> </ul>					
<b>Applications:</b> <ul style="list-style-type: none"> <li>Medical laser treatment</li> <li>Others</li> </ul>					
<b>Specifications</b>		<b>WSLP-940-050m-PM-PD</b>			
	Min	Type	Max		
Center Wavelength@25°C	935nm	940nm	945nm		
Spectral Width (FWHM)	----	0.5nm	2.0nm		
Output Power	----	50mw	----		
Fiber Core	6um or 9um				
Fiber Type	Polarization Maintaining Fiber				
Slope Efficiency	0.8mW/mA	0.9mW/mA	----		
Monitor Current	----	0.5mA	----		
PD Reverse Voltage	----	30V	----		
Fiber Connector	FC/ST/SMA905				
Fiber Length	----	80cm	100cm		
Threshold Current (Typ.)	----	25mA	45mA		
Operating Current (Typ.)	----	260mA	315mA		
Operating Voltage	----	1.8V	2.2V		
Package Style	Coaxial				

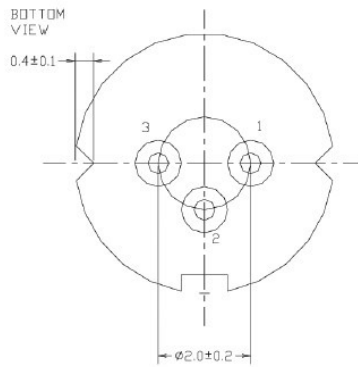


### Coaxial Package View

Unit: mm



### PIN Bottom View:



<b>1</b>	<b>LD(+)</b>
<b>2</b>	<b>LD(-)&amp;PD(+)</b>
<b>3</b>	<b>PD(-)</b>

Electrically shorten LD module and store in non-extreme conditions.  
 Suggest using the constant current power supply.

